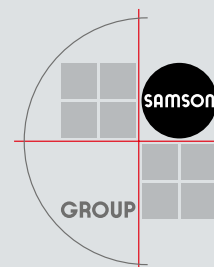
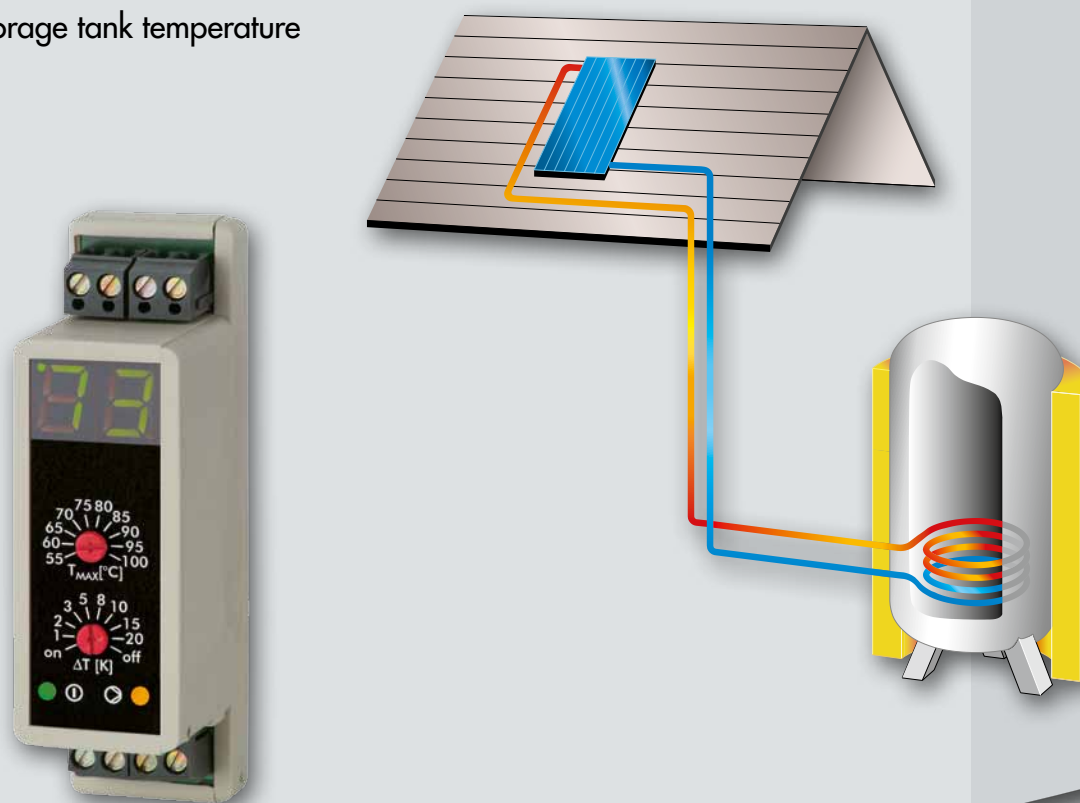


ZPR-D Solar Controller

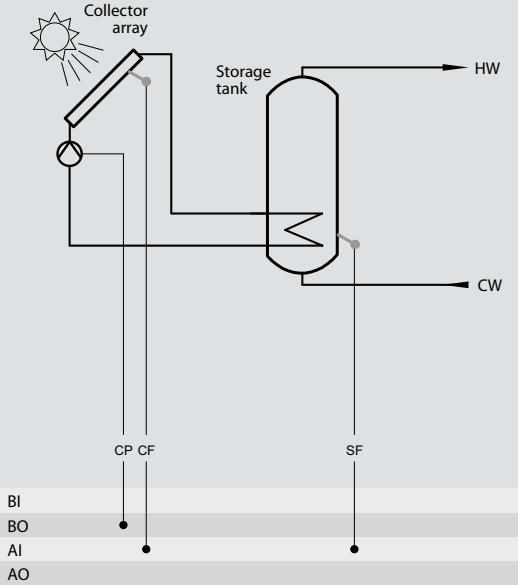
Digital on/off controller for simple solar thermal systems

KT Elektronik

- High-performance, yet low-cost solution for controlling solar heating systems
- Internal switching power supply with low consumption (approx. 7 kWh/year)
- Two sensor inputs (collector, storage tank)
- Floating relay output with varistor protection (for collector pump, max. 2 A)
- Microprocessor enables minimum ON time, minimum idle time, pump blocking protection and excess temperature protection
- Can also be used as on/off controller for wood-burning boiler pumps and other applications
- Display for collector temperature and storage tank temperature



Technical data

<p>Sample application</p>	
<p>Inputs</p>	<p>2 inputs for temperature sensors (Pt 1000)</p>
<p>Outputs</p>	<p>Floating relay output, max. load 250 V AC, 2 A</p>
<p>General</p>	<p>Dimensions: 96 x 27 x 60 mm Mounting: DIN rail Operating voltage: 85 to 250 V, 48 to 62 Hz, max. 1 W</p>