

# MOUNTING AND OPERATING INSTRUCTIONS

The SAMSON logo consists of the word "SAMSON" in a bold, white, sans-serif font, centered within a solid black circle. This circle is itself centered within a white square frame.

## EB 3013 EN

Translation of original instructions



Type 42-34 Differential Pressure Regulator



Type 42-38 Differential Pressure Regulator

## Differential Pressure Regulators with Flow Limitation

Type 42-34 · Type 42-38

Self-operated Regulators · Closing Actuator

Edition March 2025

The CE mark is a stylized, bold, sans-serif font consisting of the letters "C" and "E" joined together. It is positioned in the bottom right corner of the page.

## Note on these mounting and operating instructions

These mounting and operating instructions assist you in mounting and operating the device safely. The instructions are binding for handling SAMSON devices. The images shown in these instructions are for illustration purposes only. The actual product may vary.

- For the safe and proper use of these instructions, read them carefully and keep them for later reference.
- If you have any questions about these instructions, contact SAMSON's After-sales Service (aftersaleservice@samsongroup.com).



The mounting and operating instructions for the devices are included in the scope of delivery. The latest documentation is available on our website at [www.samsongroup.com](http://www.samsongroup.com) > **Downloads** > **Documentation**.

## Definition of signal words

### **DANGER**

*Hazardous situations which, if not avoided, will result in death or serious injury*

### **WARNING**

*Hazardous situations which, if not avoided, could result in death or serious injury*

### **NOTICE**

*Property damage message or malfunction*

### **Note**

*Additional information*

### **Tip**

*Recommended action*

<b>1</b>	<b>Safety instructions and measures</b> .....	<b>1-1</b>
1.1	Notes on possible severe personal injury .....	1-4
1.2	Notes on possible personal injury .....	1-5
1.3	Notes on possible property damage .....	1-7
<b>2</b>	<b>Markings on the device</b> .....	<b>2-1</b>
2.1	Nameplates .....	2-1
2.2	Location of the nameplates .....	2-2
2.3	Material identification number .....	2-2
2.3.1	Type 2423 Valve .....	2-2
2.3.2	Type 2424 and Type 2428 Actuators .....	2-2
<b>3</b>	<b>Design and principle of operation</b> .....	<b>3-1</b>
3.1	Additional fittings .....	3-4
3.1.1	Versions .....	3-5
3.2	Technical data .....	3-6
<b>4</b>	<b>Shipment and on-site transport</b> .....	<b>4-1</b>
4.1	Accepting the delivered goods .....	4-1
4.2	Removing the packaging from the regulator .....	4-1
4.3	Transporting and lifting the regulator .....	4-2
4.3.1	Transporting the regulator .....	4-2
4.3.2	Lifting the regulator .....	4-3
4.4	Storing the regulator .....	4-4
<b>5</b>	<b>Installation</b> .....	<b>5-1</b>
5.1	Installation conditions .....	5-1
5.2	Preparation for installation .....	5-3
5.3	Installation .....	5-6
5.3.1	Installing the regulator .....	5-7
5.4	Testing the regulator .....	5-7
5.4.1	Leakage .....	5-8
5.4.2	Pressure test .....	5-9
5.4.3	Filling the plant .....	5-10
5.4.4	Cleaning the pipeline .....	5-10
5.5	Insulation .....	5-11
<b>6</b>	<b>Start-up</b> .....	<b>6-1</b>
6.1	Start-up and putting the device back into operation .....	6-1
6.2	Starting up the plant .....	6-2

## Contents

<b>7</b>	<b>Operation .....</b>	<b>7-1</b>
7.1	Adjusting the set points.....	7-1
7.1.1	Adjusting the differential pressure set point .....	7-1
7.1.2	Adjusting the flow rate limitation .....	7-3
7.1.3	Based on a known plant pressure drop .....	7-4
7.1.4	Based on an <u>unknown</u> plant pressure drop.....	7-4
7.2	Pressure conditions in the plant and at the regulator.....	7-5
7.3	Sample application .....	7-6
<b>8</b>	<b>Malfunctions .....</b>	<b>8-1</b>
8.1	Troubleshooting .....	8-1
8.2	Emergency action .....	8-3
<b>9</b>	<b>Servicing.....</b>	<b>9-1</b>
9.1	Service work preparations .....	9-6
9.2	Installing the regulator after service work .....	9-6
9.3	Service work.....	9-6
9.4	Replacing the actuator.....	9-6
9.5	Replacing the seat and plug.....	9-7
9.6	Exchanging the operating diaphragm unit in the actuator .....	9-7
9.6.1	Type 2428 Actuator .....	9-7
9.6.2	Type 2424 Actuator .....	9-7
9.7	Ordering spare parts and operating supplies .....	9-9
<b>10</b>	<b>Decommissioning .....</b>	<b>10-1</b>
<b>11</b>	<b>Removal .....</b>	<b>11-1</b>
11.1	Removing the regulator from the pipeline.....	11-1
11.2	Removing the actuator from the valve .....	11-1
<b>12</b>	<b>Repairs .....</b>	<b>12-1</b>
12.1	Returning devices to SAMSON .....	12-1
<b>13</b>	<b>Disposal.....</b>	<b>13-1</b>
<b>14</b>	<b>Certificates .....</b>	<b>14-1</b>
<b>15</b>	<b>Appendix.....</b>	<b>15-1</b>
15.1	Tightening torques.....	15-1
15.2	Lubricants.....	15-1
15.3	Tools .....	15-1
15.4	Accessories .....	15-1
15.5	Spare parts .....	15-2
15.6	After-sales service .....	15-9

# 1 Safety instructions and measures

## Intended use

The SAMSON Type 42-34 and Type 42-38 Regulators are designed as differential pressure regulators with flow limitation. They consist of a Type 2423 Valve and a Type 2424 Actuator (Type 42-34) or a Type 2428 Actuator (Type 42-38). These regulator components are delivered separately.

The self-operated regulators are used to control the differential pressure and limit the flow rate. They are mainly used in district heating supply networks with indirect connection and in industrial plants to control liquids.

The regulators are designed to operate under exactly defined conditions (e.g. operating pressure, process medium, temperature). Therefore, operators must ensure that the regulators are only used in operating conditions that meet the specifications used for sizing the devices at the ordering stage. In case operators intend to use the regulators in applications or conditions other than those specified, contact SAMSON.

SAMSON does not assume any liability for damage resulting from the failure to use the device for its intended purpose or for damage caused by external forces or any other external factors.

➔ Refer to the technical data and nameplate for limits and fields of application as well as possible uses.

## Reasonably foreseeable misuse

The regulators are not suitable for the following applications:

- Use outside the limits defined during sizing and by the technical data
- Use outside the limits defined by the additional fittings mounted on the regulator

Furthermore, the following activities do not comply with the intended use:

- Use of non-original spare parts
- Performing service and repair work not described

## Qualifications of operating personnel

The regulator must be mounted, started up, serviced and repaired by fully trained and qualified personnel only; the accepted industry codes and practices must be observed. According to these mounting and operating instructions, trained personnel refers to individuals who are able to judge the work they are assigned to and recognize possible hazards due to their specialized training, their knowledge and experience as well as their knowledge of the applicable standards.

## Safety instructions and measures

### Personal protective equipment

SAMSON recommends checking the hazards posed by the process medium being used (e.g.

▶ GESTIS (CLP) hazardous substances database). Depending on the process medium and/or the activity, the protective equipment required includes:

- Protective clothing, safety gloves and eye protection in applications with hot, cold and/or corrosive media
  - Wear hearing protection when working near the valve. Follow the instructions given by the plant operator.
  - Hard hat
  - Safety harness, e.g. when working at height
  - Safety footwear, if applicable ESD (electrostatic discharge) footwear
- ➔ Check with the plant operator for details on further protective equipment.

### Revisions and other modifications

Revisions, conversions or other modifications of the product are not authorized by SAMSON. They are performed at the user's own risk and may lead to safety hazards, for example. Furthermore, the product may no longer meet the requirements for its intended use.

### Warning against residual hazards

To avoid personal injury or property damage, plant operators and operating personnel must prevent hazards that could be caused in the regulator by the process medium, the operating pressure or by moving parts by taking appropriate precautions. Plant operators and operating personnel must observe all hazard statements, warnings and caution notes in these mounting and operating instructions.

Hazards resulting from the special working conditions at the installation site of the regulator must be identified in a risk assessment and prevented through the corresponding standard operating procedures drawn up by the operator.

SAMSON also recommends checking the hazards posed by the process medium being used (e.g. ▶ GESTIS (CLP) hazardous substances database).

- ➔ Observe safety measures for handling the device as well as fire prevention and explosion protection measures.

These mounting and operating instructions deal with the standard version of the device. Components of the device that differ to those used for the standard version described in this document can be exchanged with other certain SAMSON components. The residual hazards of these components are described in the associated mounting and operating instructions (see section 'Referenced documents').

### Safety features

The Types 42-34 and 42-38 Regulators do not have any special safety features. When relieved of pressure, the regulators are opened by the force of the set point springs.

### Responsibilities of the operator

Operators are responsible for proper use and compliance with the safety regulations. Operators are obliged to provide these mounting and operating instructions as well as the referenced documents to the operating personnel and to instruct them in proper operation. Furthermore, operators must ensure that operating personnel or third parties are not exposed to any danger.

Operators are additionally responsible for ensuring that the limits for the product defined in the technical data are observed. This also applies to the start-up and shutdown procedures. Start-up and shutdown procedures fall within the scope of the operator's duties and, as such, are not part of these mounting and operating instructions. SAMSON is unable to make any statements about these procedures since the operative details (e.g. differential pressures and temperatures) vary in each individual case and are only known to the operator.

### Responsibilities of operating personnel

Operating personnel must read and understand these mounting and operating instructions as well as the referenced documents and observe the specified hazard statements, warnings and caution notes. Furthermore, operating personnel must be familiar with the applicable health, safety and accident prevention regulations and comply with them.

### Referenced standards, directives and regulations

The regulators comply with the requirements of the European Pressure Equipment Directive 2014/68/EU and the Machinery Directive 2006/42/EC. Regulators with a CE marking have a declaration of conformity which includes information about the applied conformity assessment procedure. The declaration of conformity is included in the 'Certificates' chapter.

According to the ignition hazard assessment performed in accordance with Clause 5.2 of ISO 80079-36, the non-electrical regulators do not have their own potential ignition source even in the rare incident of an operating fault. As a result, they do not fall within the scope of Directive 2014/34/EU.

→ For connection to the equipotential bonding system, observe the requirements specified in Clause 6.4 of EN 60079-14 (VDE 0165-1).

### Referenced documents

The following documents apply in addition to these mounting and operating instructions:

- Mounting and operating instructions for

## Safety instructions and measures

- e.g. **Type 2 N or 2 NI Strainer** ▶ EB 1015
- Data sheets for
  - e.g. **Accessories · Differential pressure and flow regulators** ▶ T 3095
  - e.g. **Type 2 N or 2 NI Strainer** ▶ T 1015
- Mounting and operating instructions as well as data sheets for additional fittings (e.g. shut-off valves, pressure gauges etc.).

## 1.1 Notes on possible severe personal injury

### DANGER

#### **Risk of bursting in pressure equipment.**

Regulators and pipelines are pressure equipment. Impermissible pressure or improper opening of the pressure equipment can lead to regulator components bursting.

- Observe the maximum permissible pressure for regulator and plant.
- If necessary, a suitable overpressure protection must be installed on site in the plant section.
- Before starting any work on the regulator, depressurize all plant sections affected as well as the regulator.
- Drain the process medium from the plant sections affected as well as from the regulator.
- Wear personal protective equipment.



## 1.2 Notes on possible personal injury

### WARNING

#### **Risk of personal injury due to incorrect operation, use or installation as a result of information on the regulator being illegible.**

Over time, markings, labels and nameplates on the regulator may become covered with dirt or become illegible in some other way. As a result, hazards may go unnoticed and the necessary instructions not followed. There is a risk of personal injury.

- Keep all relevant markings and inscriptions on the device in a constantly legible state.
- Immediately renew damaged, missing or incorrect nameplates or labels.

#### **Risk of hearing loss or deafness due to loud noise.**

The noise emissions depend on the valve version, plant facilities and process medium.

- Wear hearing protection when working near the valve. Follow the instructions given by the plant operator.

#### **Crush hazard arising from moving parts.**

The regulator contains moving parts (set point springs), which can injure hands or fingers if inserted into the regulator.

- Do not insert hands or fingers between the set point springs while the regulator is in operation.
- Before performing any work on the regulator, depressurize the plant. Disconnect or shut off the control line.

#### **Risk of personal injury due to loaded springs.**

The set point springs of regulators with adjusted set point are preloaded and are under tension.

- Before starting any work on the springs, relieve the compression from the preloaded springs.

### **WARNING**

#### **Risk of personal injury due to pressurized components and as a result of process medium being discharged.**

Incorrect opening of pressure equipment or mounting parts may lead to the process medium escaping to the atmosphere.

- Do not unscrew the control line while the valve is pressurized.
- Do not start up the regulator until all parts have been mounted.

#### **Risk of burn injuries due to hot or cold components and pipelines.**

Depending on the process medium, regulator components and pipelines may get very hot or cold and cause burn injuries.

- Allow components and pipelines to cool down or warm up to the ambient temperature.
- Wear protective clothing and safety gloves.

#### **Damage to health relating to the REACH regulation.**

If a SAMSON device contains a substance listed as a substance of very high concern on the candidate list of the REACH regulation, this is indicated on the SAMSON delivery note.

- Information on the safe use of the part affected (▶ [www.samsongroup.com/en/about-samson/material-compliance/reach-regulation/](http://www.samsongroup.com/en/about-samson/material-compliance/reach-regulation/)).

#### **Risk of personal injury due to residual process medium in the regulator.**

While working on the regulator, residual process medium can escape and, depending on its properties, may lead to personal injury, e.g. (chemical) burns.

- If possible, drain the process medium from the plant sections affected and from the regulator.
- Wear protective clothing, safety gloves and eye protection.

## 1.3 Notes on possible property damage

### ! NOTICE

#### **Risk of regulator damage due to incorrectly attached slings.**

- Do not attach load-bearing slings to the actuator housing (see section 'Lifting the regulator' in the 'Shipment and on-site transport' chapter).

#### **Risk of regulator damage due to unsuitable medium properties.**

The regulator is designed for a process medium with defined properties.

- Only use the process medium specified for sizing the equipment.

#### **Risk of regulator damage due to contamination (e.g. solid particles) in the pipeline.**

The plant operator is responsible for cleaning the pipelines in the plant.

- Flush the pipelines before start-up.

#### **Risk of regulator damage due to the use of unsuitable lubricants.**

The lubricants to be used depend on the regulator material. Unsuitable lubricants may corrode and damage surfaces.

- Only use lubricants approved by SAMSON.  
When in doubt, consult SAMSON.

#### **Risk of leakage and regulator damage due to over- or under-torquing.**

Observe the specified torques when tightening regulator components. Excessive tightening torques lead to parts wearing out more quickly. Parts that are too loose may cause leakage.

- Observe the specified tightening torques (see the 'Tightening torques' chapter in the Appendix).

#### **Risk of regulator damage due to the use of unsuitable tools.**

Certain tools are required to work on the regulator.

- Only use tools approved by SAMSON.  
When in doubt, consult SAMSON.

### ! NOTICE

**Risk of the process medium being contaminated through the use of unsuitable lubricants and/or contaminated tools and components.**

- Keep the regulator and the tools used free from solvents and grease.
- Make sure that only suitable lubricants are used.

**Risk of excess pressure damaging plant sections due to construction-related seat leakage through the regulator.**

- Always install a safety device (e.g. safety excess pressure valve or safety relief valve) in the plant.

**Incorrect control due to the formation of ice on the regulator.**

Medium temperatures below 0 °C may cause ice to form on the regulator, depending on the air humidity. This may affect, in particular, the functioning of the plug or diaphragm stem guide.

- Prevent the formation of ice by taking appropriate precautions (e.g. enclosure, trace heater etc.). The plant operator is responsible for selecting and implementing appropriate precautions (see the 'Installation' chapter).

---

### i Note

*SAMSON's After-sales Service can support you concerning lubricant, tightening torques and tools approved by SAMSON.*

---

## 2 Markings on the device

Several nameplates are affixed to the device. The nameplates shown were up to date at the time of publication of this document. The nameplates on the device may differ from

the ones shown. The nameplates are used to identify the separate regulator components (see Chapter 2.1).

### 2.1 Nameplates

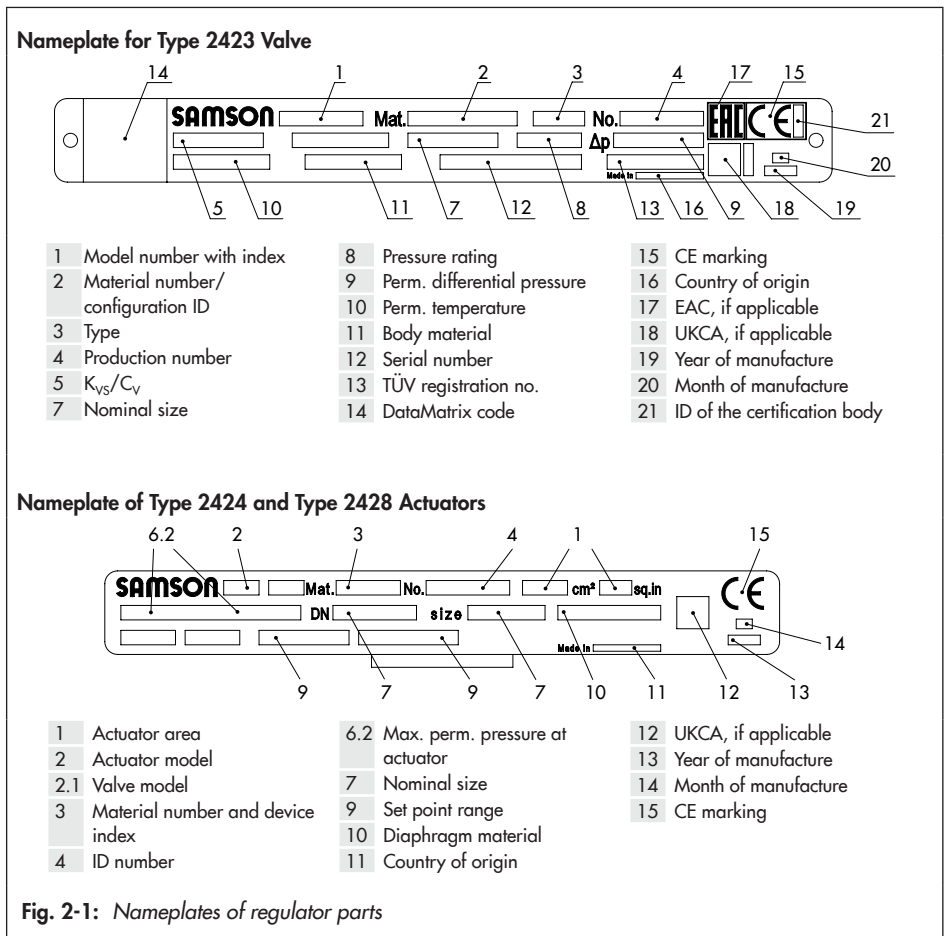
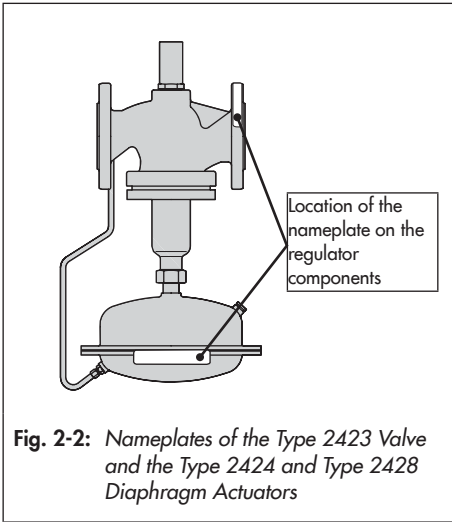


Fig. 2-1: Nameplates of regulator parts

## 2.2 Location of the nameplates



**Fig. 2-2:** Nameplates of the Type 2423 Valve and the Type 2424 and Type 2428 Diaphragm Actuators

## 2.3 Material identification number

### 2.3.1 Type 2423 Valve

See the nameplate (11 for DIN/ANSI version, body material) for the material used. For more details on the nameplate, see Chapter 2.1.

### 2.3.2 Type 2424 and Type 2428 Actuators

Specifying the material number, you can contact SAMSON to find out which material is used. It is specified on the nameplate in the 'MNo.' field (3 for DIN/ANSI). For more details on the nameplate, see Chapter 2.1.

### 3 Design and principle of operation

→ See Fig. 3-1 and Fig. 3-2

The differential pressure regulators with flow limitation are designed to maintain the differential pressure between the high-pressure and low-pressure lines to a defined set point. The flow rate can be limited by the restriction integrated in the valve body.

**Type 42-34** · The set point can be adjusted as required within the set point range.

**Type 42-38** · The set point is fixed.

The regulators basically consist of the Type 2423 Valve with seat (2), plug (3) and restriction (1.4) as well as a closing actuator (Type 2424 or Type 2428) with an operating diaphragm (13).

Valve and actuator are delivered separately and must be assembled on site using a coupling nut (11).

The medium flows through the valve in the direction indicated by the arrow. The areas released by the restriction (1.4) and the valve plug (3) determine the flow rate and the differential pressure  $\Delta p_{\text{plant}}$  across the plant. See 'Pressure conditions in the plant and at the regulator' in the 'Operation' chapter.

In fully balanced valves, the forces acting on the valve plug created by the upstream and downstream pressures are balanced by a balancing bellows (5) or balancing diaphragm (5.1). Regulators balanced by a bellows or a diaphragm only differ in the pressure balancing principle applied. Valves balanced by a diaphragm (DN 65 to 250 only)

have a balancing diaphragm (5.1) instead of the balancing bellows (5). The downstream pressure  $p_2$  acts on the bottom of the diaphragm and the upstream pressure  $p_1$  on the top of the diaphragm. As a result, the forces created by the upstream and downstream pressures acting on the plug are balanced out.

The regulators in DN 15 to 100 are fitted with a connecting piece (10) for the low-pressure control line between the valve and actuator.

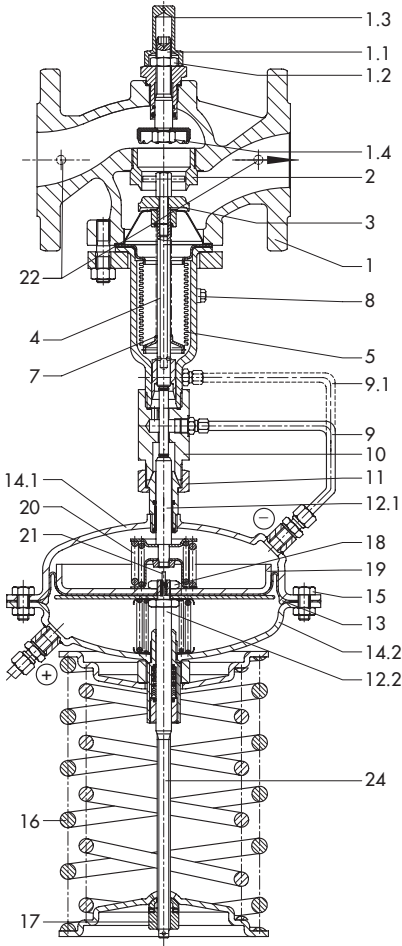
To control the differential pressure, the high pressure (flow) of the plant is transmitted over the high-pressure control line to the bottom diaphragm chamber of the actuator. The pressure downstream of the restriction (1.4) is transmitted through the hollow plug stem and the attached low-pressure control line to the top diaphragm chamber of the actuator. The differential pressure is converted into a set point force at the operating diaphragm (13) and used to move the plug according to the force of the set point springs (16). Depending on the actuator version, the set point springs installed in the actuator (Type 42-38) define the set point or the springs are mounted externally to allow the set point to be adjusted (Type 42-34).

The flow set point screw (1.1) with the adjusted restriction (1.4) is used to change the cross-sectional area of flow to adjust the maximum flow rate.

The force limiter (20) and internal excess pressure limiter (21) protect the seat and plug from overload during exceptional operating conditions.

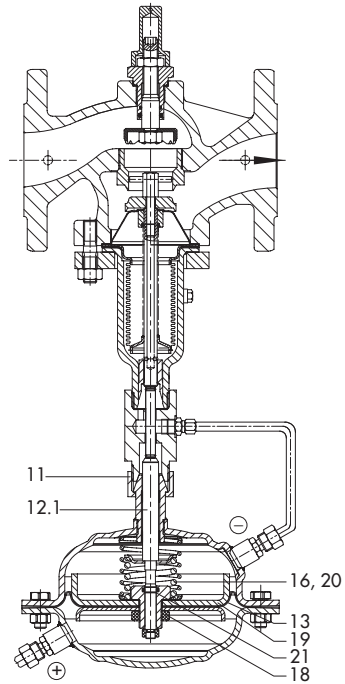
## Design and principle of operation

Type 2423 Valve, DN 15 to 250 · Balanced by a bellows



Type 2424 Actuator  
Type 42-34

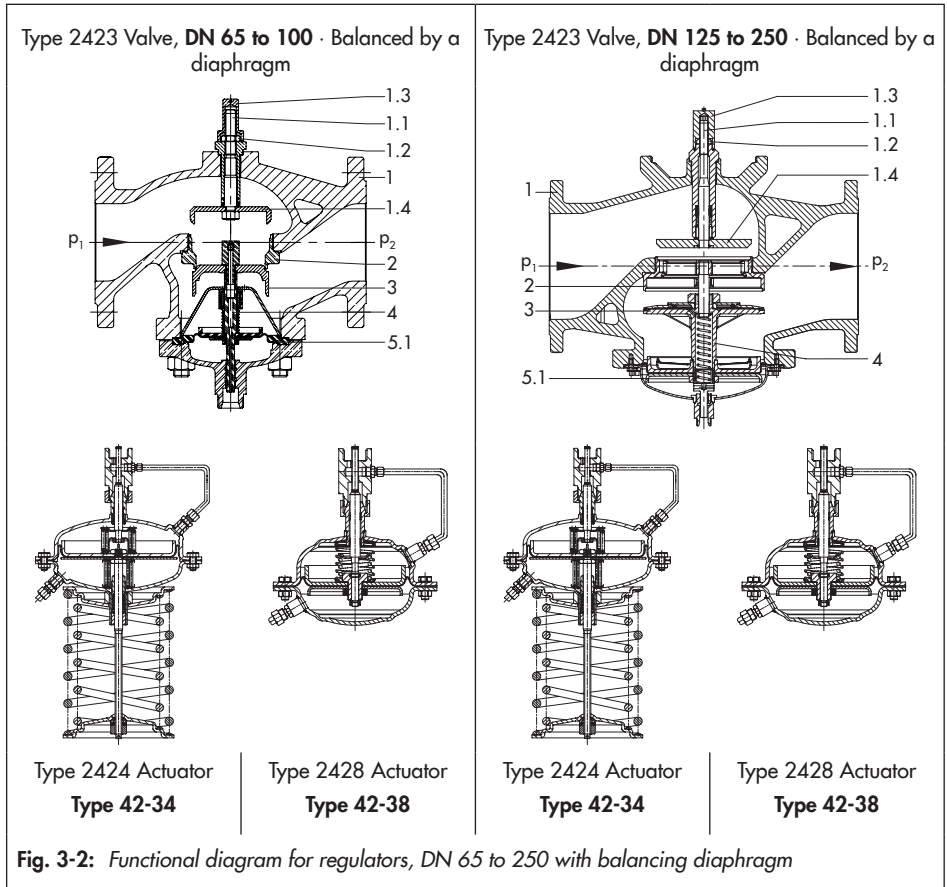
Type 2423 Valve  
DN 15 to 100 · Balanced by a bellows



Type 2428 Actuator  
Type 42-38

Fig. 3-1: Functional diagram for regulators, DN 15 to 250 with balancing bellows





Legend for Fig. 3-1 and Fig. 3-2

1 Valve body	5.1 Balancing diaphragm	11 Coupling nut	17 Set point adjustment for differential pressure (set point adjuster)
Flow set point	7 Spring	12.1 Diaphragm stem	18 Nut
1.1 adjustment (set point screw)	8 Screw plug (balanced by a bellows, DN 125 and larger)	12.2 Diaphragm stem	19 Diaphragm plate
1.2 Lock nut	9 Low-pressure control line (up to DN 100)	13 Operating diaphragm	20 Force limiter
1.3 Cap	Low-pressure	14.1 Top diaphragm case (valve on top)	21 Internal excess pressure valve
1.4 Restriction	9.1 connection (DN 125 and larger)	14.2 Bottom diaphragm case (valve on top)	22 Blanking plug at side
2 Seat	10 Connecting piece (up to DN 100)	15 Nuts and bolts	24 Diaphragm stem
3 Plug		16 Set point springs	
4 Plug stem			
5 Balancing bellows			

### 3.1 Additional fittings

→ See Fig. 3-3

#### Pressure gauges

Install a pressure gauge (3 and 5) at suitable points to monitor the pressures prevailing in the plant.

#### Bypass and shut-off valves

We recommend installing a shut-off valve (1, 6) both upstream of the strainer and downstream of the regulator and installing a bypass line (18). The bypass ensures that the plant does not need to be shut down for service and repair work on the regulator.

#### Strainers

SAMSON recommends installing a SAMSON strainer (2) upstream of the valve. It prevents solid particles in the process medium from damaging the regulator.

- Do not use the strainer to permanently filter the process medium.
- Select a strainer (mesh size) suitable for the process medium.

#### **i** Note

Any impurities carried along by the process medium may impair the proper functioning of the regulator. We recommend installing a strainer (e.g. SAMSON Type 2 NI) upstream of the pressure reducing valve (► EB 1015).

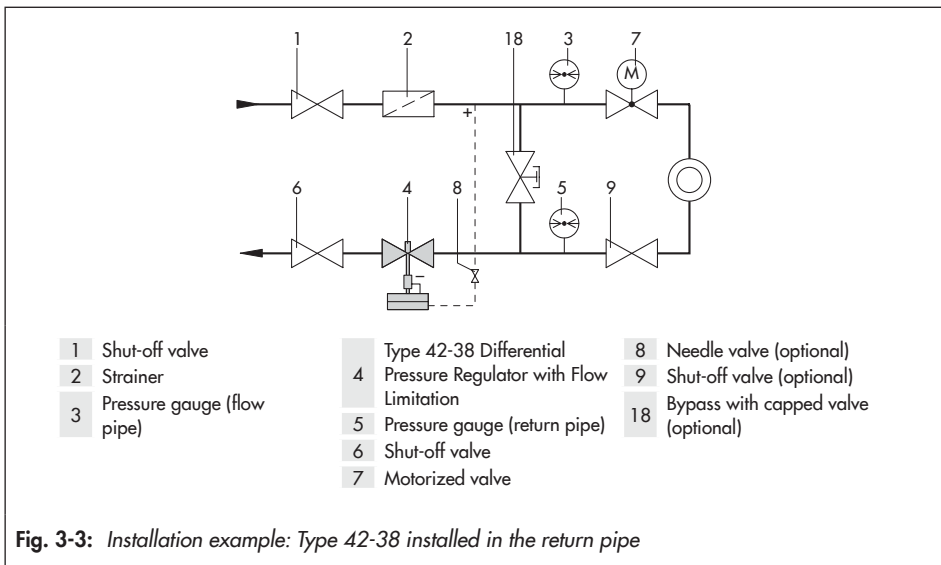


Fig. 3-3: Installation example: Type 42-38 installed in the return pipe

### Insulation

Regulators can be insulated to reduce heat energy transfer.

Refer to the instructions in the 'Installation' chapter.

---

**i Note**

*The Type 42-34 and Type 42-38 Regulators are not safety valves. If necessary, a suitable overpressure protection must be installed on site in the plant section.*

---

### 3.1.1 Versions

Type 42-34 and Type 42-38 Differential Pressure Regulators with Flow Limitation are designed for installation in the return pipe, e.g. a district heating station with indirect connection.

- **Type 42-34** · With adjustable differential pressure and flow limitation · With internal overload protection (excess pressure limiter) in the actuator
- **Type 42-38** · With fixed differential pressure and adjustable flow limitation · With internal overload protection (excess pressure limiter) in the actuator

#### Regulator configurations

The regulators consist of a valve and an actuator with adjustable restriction. They control the differential pressure to the set point adjusted at the actuator and limit the flow rate to the value adjusted at the restriction.

<b>Type 42-34</b> with connecting piece (DN 15 to 100)	
Consisting of:	
<b>Valve</b>	– Type 2423, balanced
<b>Actuator</b>	– Type 2424 adjustable set point
<b>Type 42-38</b> with connecting piece	
Consisting of:	
<b>Valve</b>	– Type 2423, balanced
<b>Actuator</b>	– Type 2428 fixed set point

### 3.2 Technical data

The valve and actuator nameplates provide information on the valve and actuator versions (see the 'Markings on the device' chapter).

#### **i Note**

More information is available in Data Sheet T 3013.

#### **Conformity**

The Type 42-34 and Type 42-38 Regulators bear the CE mark of conformity.

The CE mark is displayed inside a rectangular box.

#### **Process medium and scope of application**

The differential pressure regulators with flow limitation are designed to maintain the differential pressure between the high-pressure and low-pressure lines to a defined set point and to limit the flow rate.

- Liquids from **5 to 150 °C**
- Max. temperature **150 °C**
- Differential pressure set points **from 0.1 to 2.5 bar**
- Adjustable flow rate range from **0.05 to 520 m<sup>3</sup>/h**
- Nominal size **DN 15 to 250**
- Pressure ratings from **PN 16 to 40**

The regulator is open when relieved of pressure. The valve **closes** when the differential pressure or flow rate **rises**.

#### **i Note**

*The materials used in the regulator are also resistant to high concentrations of glycol. Nevertheless, glycol reacts when it comes in contact with metals and causes acids to form. SAMSON cannot prevent this reaction. Therefore, prevent it through the use of suitable inhibitors.*

#### **Leakage class**

The metal-seated regulator has the leakage class I according to IEC 60534-4.

The soft-seated regulator has the leakage class IV according to IEC 60534-4.

#### **Temperature range**

Depending on how the regulator is configured, it can be used up to temperatures of 150 °C/300 °F (see Table 3-1). The minimum temperature is limited by the accessories used and the actuator's diaphragm material (▶ T 3013).

#### **Noise emissions**

SAMSON is unable to make general statements about noise emissions. The noise emissions depend on the regulator version, plant facilities, process medium and operating conditions.

#### **Dimensions and weights**

Table 3-6 to Table 3-7 provide an overview of the dimensions and weights. The lengths and heights in the dimensional drawings are shown on pages 3-11 and 3-12.

**Table 3-1: Technical data · All pressures in bar (gauge)**

Type	42-34		42-38
	Balanced by a diaphragm	Balanced by a bellows	Balanced by a bellows
Nominal size	DN 65 to 250	DN 15 to 250	DN 15 to 100
Pressure rating	PN 16, 25, 40		
Pressure at which internal excess pressure limiter responds	A = 160 cm <sup>2</sup>	1.2 bar	0.6 bar
	A = 320 cm <sup>2</sup>	0.6 bar	0.3 bar
	A = 640 cm <sup>2</sup>	0.3 bar	–
Max. permissible temperature	Valve	150 °C	See pressure-temperature diagram in ► T 3000
	Actuator <sup>1)</sup>	Liquids up to 150 °C	
Set point ranges	0.1 to 0.6 bar · 0.2 to 1 bar · 0.5 to 1.5 bar · 1 to 2.5 bar		0.2 to 0.5 bar (in 0.1 bar increments)
Max. permissible operating pressure	40 bar for 160 to 320 cm <sup>2</sup> · 40 and 16 bar for 640 cm <sup>2</sup>		
Max. perm. operating pressure for actuator with two diaphragms	40 bar for 160 cm <sup>2</sup> · 25 bar for 320 and 640 cm <sup>2</sup>		–
Conformity	<b>CE</b>		
Leakage class according to IEC 60534-4	≤0.05 % of K <sub>VS</sub> coefficient		

<sup>1)</sup> Higher temperatures on request

**Table 3-2: K<sub>VS</sub> coefficients, x<sub>FZ</sub> values and max. permissible differential pressures Δp**

Type 2423 Valve · Balanced by a bellows														
Nominal size DN	15	20	25	32	40	50	65	80	100	125	150	200	250	
Valve travel	10 mm						16 mm			22 mm				
K <sub>VS</sub> coefficient	4.0	6.3	8.0	16	20	32	50	80	125	190	280	420	500	
Max. perm. diff. pressure Δp	25 bar						20 bar		16 bar		12 bar		10 bar	
x <sub>FZ</sub> value	0.65	0.6	0.55	0.45	0.4		0.35					0.3		
Type 2423 Valve · Balanced by a diaphragm														
Nominal size DN	65	80	100	125	150	200	250							
Valve travel	15 mm						35 mm							
K <sub>VS</sub> coefficient	50	80	125	250	390	650	800							
Max. perm. diff. pressure Δp	12 bar			10 bar		12 bar			10 bar					
x <sub>FZ</sub> value	0.4		0.35						0.3					

## Design and principle of operation

**Table 3-3: Materials · Material numbers according to DIN EN**

<b>Type 2423 Valve</b>			
Pressure rating	PN 16	PN 16, 25	PN 16, 25, 40
Valve body	Cast iron EN-GJL-250	Spheroidal graphite iron EN-GJS-400-18-LT	Cast steel 1.0619
<b>Type 2423 Valve · Balanced by a bellows</b>			
Seat	1.4404, 1.4006		
Plug	Up to DN 100	1.4404 or 1.4006 <sup>1)</sup>	
	DN 125 to 250	1.4301, 1.4404 with PTFE soft seal	
Plug stem	1.4301		
Metal bellows	DN 15 to 100: 1.4571 · DN 125 to 250: 1.4404		
Bottom section	P265GH		
Body gasket	Graphite on metal core		
<b>Type 2423 Valve · Balanced by a diaphragm</b>			
Seat	CC499K <sup>2)</sup>	-	
Plug	CC499K <sup>2)</sup> · With EPDM or PTFE soft seal, max. 150 °C		
Pressure balancing	Balancing cases made of sheet steel DD11 · Diaphragm plate EN-JS1030 · EPDM balancing diaphragm, max. 150 °C		
<b>Type 2424 and Type 2428 Actuators</b>			
Diaphragm cases	1.0332	1.4301	
Diaphragm	EPDM with fabric reinforcement		
Guide bushing	DU bushing	PTFE	
Seals	EPDM/PTFE		

<sup>1)</sup> Optionally with soft seal with standard  $K_{VS}$  coefficients

<sup>2)</sup> Special version in 1.4409

**Table 3-4: Flow rate set point ranges for water · Type 2423 Valve, balanced by a bellows**

$\Delta p_{\text{set point}}$	$\Delta p_{\text{plant}}$	$\Delta p_{\text{restriction}}$	DN	15	20	25	32	40	50	65	80	100	125	150	200	250
0.2 bar	0.1 bar	0.1 bar	√ Max.	1.4	2.1	2.4	4.9	7.7	11.2	19	28	44	56	84	126	154
0.5 bar	0.3 bar	0.2 bar	√ Max.	2	3	3.5	7	11	16	28	40	63	80	120	180	220
1.0 bar	0.5 bar	0.5 bar	√ Max.	3	4.5	5.3	9.5	16	24	40	58	90	120	180	260	300

**Table 3-5: Flow rate set point ranges for water · Type 2423 Valve, balanced by a diaphragm**

Nominal size	DN	65	80	100	125	150	200	250
Diff. pressure across the restriction $\Delta p_{\text{restriction}}$	0.2 bar	2 to 28	3.5 to 35 <sup>1)</sup>	6.5 to 63	11 to 120	18 to 180	20 to 320	26 to 350
	0.5 bar	3.5 to 40	6.5 to 55	11 to 90	18 to 180	20 to 260	26 to 450	30 to 520

<sup>1)</sup> 7 to 35 m<sup>3</sup>/h (160 cm<sup>2</sup> actuator), 7 to 40 m<sup>3</sup>/h (320 cm<sup>2</sup> actuator)

**Table 3-6: Dimensions and weights for Type 42-34 and Type 42-38 · Balanced by a bellows**

*Dimensions in mm · Weights in kg (without process medium)*

Nominal size	DN	15	20	25	32	40	50	65	80	100	125	150	200	250	
Length L		130	150	160	180	200	230	290	310	350	400	480	600	730	
Height H1		285						360		415	460	590	730		
Height H2		115			135			195		220	265	295	400		
<b>Type 42-38 Differential Pressure Regulator with Flow Limitation</b>															
<b>Set points</b>		<b>Type 2428 Actuator</b>													
0.2 bar 0.3 bar 0.4 bar 0.5 bar	Height H <sup>3)</sup>	450						525		585	-				
	Actuator	ØD = 225 mm, A = 160 cm <sup>2</sup> <sup>1)</sup>						ØD = 285 mm · A = 320 cm <sup>2</sup>							
	Weight <sup>2)</sup> in kg	11.5	12	13	19.5	20	22.5	45	50	58					
	<b>Type 42-34 Differential Pressure Regulator with Flow Limitation</b>														
<b>Set points</b>		<b>Type 2424 Actuator</b>													
0.1 to 0.6 bar	Height H <sup>3)</sup>	670						745		800	990	1120	1260		
	Actuator	ØD = 225 mm, A = 160 cm <sup>2</sup> <sup>1)</sup>						ØD = 285 mm, A = 320 cm <sup>2</sup>		ØD = 390 mm, A = 640 cm <sup>2</sup>					
	Weight <sup>2)</sup> in kg	16	16.5	17.5	24	24.5	27	46	51	59	135	185	425	485	
0.2 to 1 bar	Height H <sup>3)</sup>	670						745		800	990	1120	1260		
	Actuator	ØD = 225 mm, A = 160 cm <sup>2</sup> <sup>1)</sup>						ØD = 390 mm, A = 640 cm <sup>2</sup>							
	Weight <sup>2)</sup> in kg	16	16.5	17.5	24	24.5	27	42	47	55	135	185	425	485	
0.5 to 1.5 bar	Height H <sup>3)</sup>	610						685		740	990	1120	1260		
	Actuator	ØD = 225 mm, A = 160 cm <sup>2</sup> <sup>1)</sup>						ØD = 285 mm, A = 320 cm <sup>2</sup>							
	Weight <sup>2)</sup> in kg	16	16.5	17.5	24	24.5	27	42	47	55	125	175	425	475	
1 to 2.5 bar	Height H <sup>3)</sup>	610						685		740	990	1120	1260		
	Actuator	ØD = 225 mm, A = 160 cm <sup>2</sup> <sup>1)</sup>													
	Weight <sup>2)</sup> in kg	16	16.5	17.5	24	24.5	27	42	47	55	125	175	425	475	

<sup>1)</sup> Optionally with 320 cm<sup>2</sup> actuator

<sup>2)</sup> The weight applies to the version with the material specifications EN-GJL-250. Add +10 % for all other materials.

<sup>3)</sup> Minimum clearance required to remove the actuator: +100 mm

## Design and principle of operation

**Table 3-7:** Dimensions and weights for Type 42-34 and Type 42-38 · Balanced by a diaphragm  
Dimensions in mm · Weights in kg (without process medium)

Nominal size DN	65	80	100	125	150	200	250
Length L	290	310	350	400	480	600	730
Height H1	250		270	285	310	380	
Height H2	195		220	290	325	335	380
Type 42-38 Differential Pressure Regulator with Flow Limitation							
Set points		Type 2428 Actuator					
0.2 bar	Height H <sup>4)</sup>	415		440	-		
0.3 bar	Actuator	ØD = 285 mm · A = 320 cm <sup>2</sup>					
0.4 bar							
0.5 bar	Weight <sup>1)</sup> in kg	40	45	55			
Type 42-34 Differential Pressure Regulator with Flow Limitation							
Set points		Type 2424 Actuator					
0.1 to 0.6 bar	Height H <sup>4)</sup>	635		655	780	805	1020
	Actuator	ØD = 285 mm · A = 320 cm <sup>2</sup>			ØD = 390 mm · A = 640 cm <sup>2</sup>		
	Weight <sup>1)</sup> in kg	47	52	62	95	115	290
0.2 to 1 bar	Height H <sup>4)</sup>	635		655	780	805	1020
	Actuator	ØD = 225 mm · A = 160 cm <sup>2 3)</sup>			ØD = 390 mm · A = 640 cm <sup>2</sup>		
	Weight <sup>1)</sup> in kg	47	52	62	95	115	290
0.5 to 1.5 bar	Height H <sup>4)</sup>	635		655	780	805	1020
	Actuator	ØD = 225 mm · A = 160 cm <sup>2 3)</sup>			ØD = 285 mm · A = 320 cm <sup>2 2)</sup>		
	Weight <sup>1)</sup> in kg	47	52	62	95	115	290
1 to 2.5 bar	Height H <sup>4)</sup>	635		655	780	805	1020
	Actuator	ØD = 225 mm · A = 160 cm <sup>2 3)</sup>					
	Weight <sup>1)</sup> in kg	47	52	62	95	115	290

<sup>1)</sup> The weight applies to the version with the material specifications EN-GJL-250. Add +10 % for all other materials.

<sup>2)</sup> Optionally with 640 cm<sup>2</sup> actuator

<sup>3)</sup> Optionally with 320 cm<sup>2</sup> actuator

<sup>4)</sup> Minimum clearance required to remove the actuator: +100 mm

**Table 3-8:** Weights of Type 2424 and Type 2428 Actuators · Weights in kg (without process medium)

Actuator area in cm <sup>2</sup>	640	320	160 · 80 · 40
Weight in kg	45	23	12



Dimensional drawings

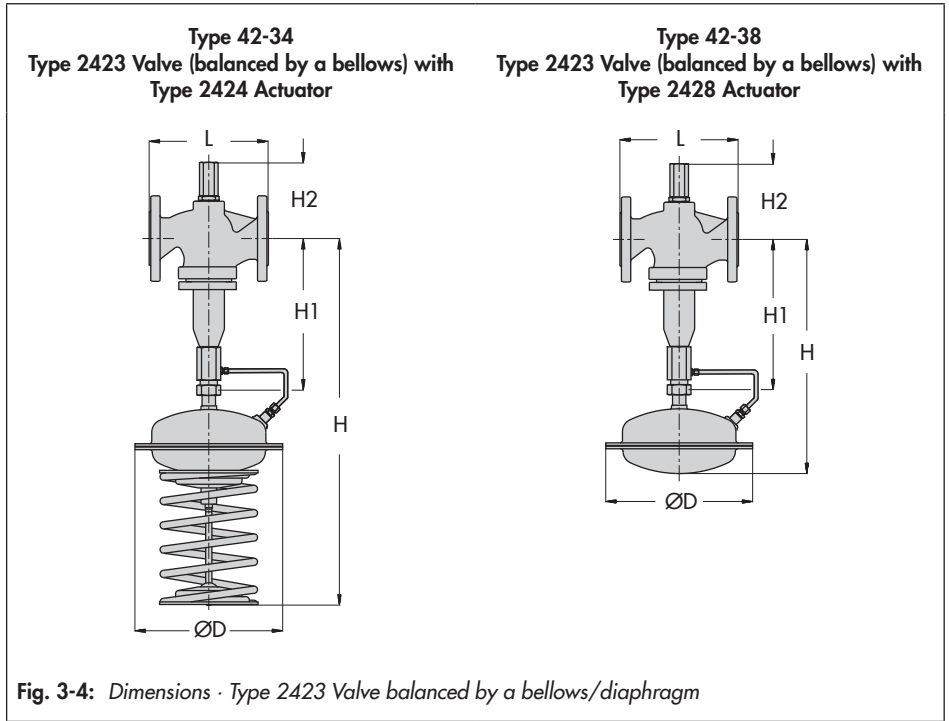


Fig. 3-4: Dimensions · Type 2423 Valve balanced by a bellows/diaphragm

## Design and principle of operation

### Dimensional drawings

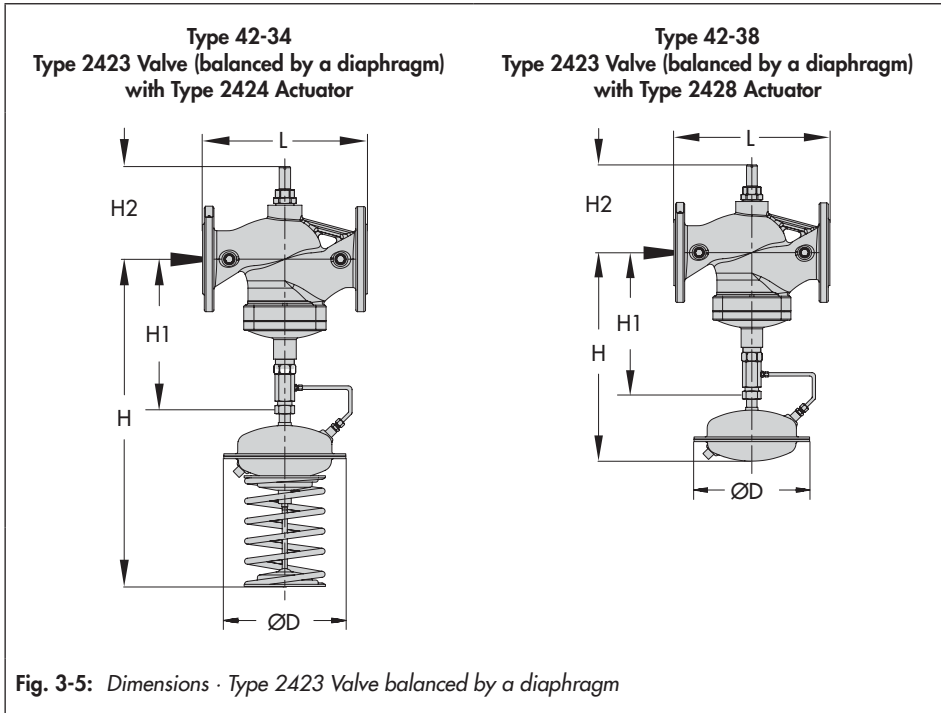


Fig. 3-5: Dimensions · Type 2423 Valve balanced by a diaphragm

## 4 Shipment and on-site transport

The work described in this chapter is to be performed only by personnel appropriately qualified to carry out such tasks.

### 4.1 Accepting the delivered goods

After receiving the shipment, proceed as follows:

1. Check the scope of delivery. Check that the specifications on the valve and actuator nameplate match the specifications in the delivery note. See the 'Markings on the device' chapter for nameplate details.
2. Check the shipment for transportation damage. Report any damage to SAMSON and the forwarding agent (refer to delivery note).
3. Determine the weight and dimensions of the units to be lifted and transported in order to select the appropriate lifting equipment and lifting accessories. Refer to the transport documents and the 'Design and principle of operation' chapter.

### 4.2 Removing the packaging from the regulator

The components (valve, actuator and, if applicable, accessories) of the regulator are delivered separately.

Proceed as follows to lift and install the valve:

- Do not open or remove the packaging until immediately before lifting to install the regulator into the pipeline.
- Leave the regulator components in its transport container or on the pallet to transport it on site.
- Do not remove the protective caps from the inlet and outlet until immediately before installing the valve into the pipeline. They prevent foreign particles from entering the valve.
- Dispose and recycle the packaging in accordance with the local regulations.

## 4.3 Transporting and lifting the regulator

### **⚠ DANGER**

#### ***Danger due to suspended loads falling.***

- Stay clear of suspended or moving loads.
- Close off and secure the transport paths.

### **⚠ WARNING**

#### ***Risk of injury due to incorrect lifting without the use of lifting equipment.***

Lifting the regulator without the use of lifting equipment may lead to injuries (back injuries in particular) depending on the weight of the regulator and/or actuator.

- Observe the occupational health and safety regulations valid in the country of use.
- Observe the guideline weight for manual handling: 15 to max. 55 kg per person taking into account age, gender and physical fitness.
- When the actuator is filled with medium, take the weight of the medium also into account.
- Refer to the 'Design and principle of operation' chapter for the weights of the regulator and actuator.

### **⚠ WARNING**

#### ***Risk of personal injury due to the regulator tipping.***

- Observe the regulator's center of gravity.
- Secure the regulator against tipping over or turning.

### **⚠ WARNING**

#### ***Risk of lifting equipment tipping over and risk of damage to lifting accessories due to exceeding the rated lifting capacity.***

- Only use approved lifting equipment and accessories whose minimum lifting capacity is higher than the weight of the valve (including actuator and packaging, if applicable).
- Refer to the 'Design and principle of operation' chapter for the weights.

### **💡 Tip**

Our after-sales service can provide more detailed transport and lifting instructions on request.

### 4.3.1 Transporting the regulator

The regulator can be transported using lifting equipment (e.g. crane or forklift).

- Leave the regulator in its transport container or on the pallet to transport it.
- Observe the transport instructions.

### Transport instructions

- Protect the regulator against external influences (e.g. impact).
- Do not damage the corrosion protection (paint, surface coatings). Repair any damage immediately.
- Protect the regulator against moisture and dirt.
- Protect the piping and any mounted valve accessories against damage.
- The permissible ambient temperature of standard regulators is  $-20$  to  $+80$  °C.

### 4.3.2 Lifting the regulator

To install a large regulator into the pipeline, use lifting equipment (e.g. crane or forklift) to lift it.

#### Lifting instructions

- Use a hook with safety latch to secure the slings from slipping off the hook during lifting and transporting (see Fig. 4-1).
- Secure slings against slipping.
- Make sure the slings can be removed from the device once it has been installed into the pipeline.
- Prevent the regulator from tilting or tipping.
- Do not leave loads suspended when interrupting work for longer periods of time.
- Make sure that the axis of the pipeline is always horizontal during lifting and the axis of the plug stem is always vertical.

### Lifting

1. Attach one sling to the body flange and one sling to the rigging equipment (e.g. hook) of the crane or forklift (see Fig. 4-1).
2. Carefully lift the regulator. Check whether the lifting equipment and accessories can bear the weight.
3. Move the regulator at an even pace to the site of installation.
4. Install the regulator into the pipeline (see the 'Installation' chapter).
5. After installation in the pipeline, check whether the regulator flanges are bolted tight.
6. Remove slings.

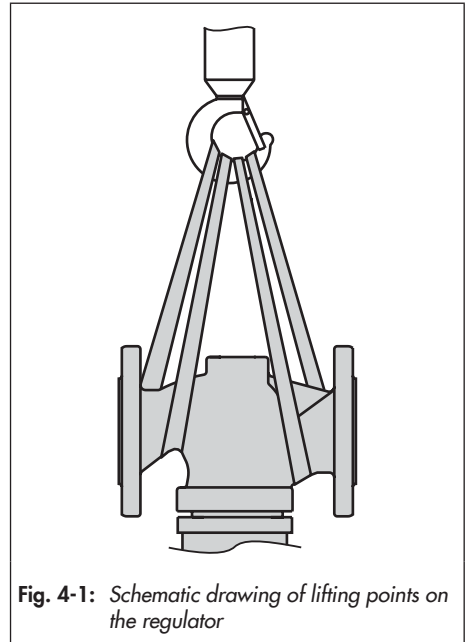


Fig. 4-1: Schematic drawing of lifting points on the regulator

## 4.4 Storing the regulator

---

### NOTICE

**Risk of regulator damage due to improper storage.**

- Observe the storage instructions.
  - Avoid longer storage periods.
  - Contact SAMSON in case of different storage conditions or longer storage times.
- 

### Note

SAMSON recommends to regularly check the regulator and the prevailing storage conditions during long storage periods.

---

### Storage instructions

- Protect the regulator against external influences (e.g. impact).
- Secure the regulator in the stored position against slipping or tipping over.
- Do not damage the corrosion protection (paint, surface coatings). Repair any damage immediately.
- Protect the regulator against moisture and dirt. Store it at a relative humidity of less than 75 %. In damp spaces, prevent condensation. If necessary, use a drying agent or heating.
- Make sure that the ambient air is free of acids or other corrosive media.
- The permissible storage temperature of standard regulators is -20 to +65 °C.

- Do not place any objects on the regulator.

### Special storage instructions for elastomers

Elastomer, e.g. operating diaphragm

- To keep elastomers in shape and to prevent cracking, do not bend them or hang them up.
  - Store elastomers away from lubricants, chemicals, solutions and fuels.
  - SAMSON recommends a storage temperature of 15 °C for elastomers.
- 

### Tip

Our after-sales service can provide more detailed storage instructions on request.

---

## 5 Installation

The work described in this chapter is to be performed only by personnel appropriately qualified to carry out such tasks.

### 5.1 Installation conditions

#### Work position

The work position for the regulator is the front view onto all operating controls on the regulator (including any additional fittings) seen from the position of operating personnel.

Plant operators must ensure that, after installation of the device, the operating personnel can perform all necessary work safely and easily access the device from the work position.

#### Pipeline routing

The inlet and outlet lengths vary depending on several variables and process conditions and are intended as recommendations. Contact SAMSON if the lengths are significantly shorter than the recommended lengths.

To ensure that the regulator functions properly, proceed as follows:

- Observe the inlet and outlet lengths (see Table 5-1). Contact SAMSON if the regulator conditions or state of the process medium are different from those specified.
- Install the regulator free of stress and with the least amount of vibrations as possible. Read sections "Mounting posi-

tion" and "Support or suspension" in this chapter.

- For media with a tendency to condensate, an automatic drainage must be installed. Install the pipeline with a slight downward slope on both sides of the regulator to prevent condensate from collecting in the valve.
- Install the regulator allowing sufficient space to remove the actuator and valve or to perform service work on them.

#### Mounting position

To ensure that the regulator functions properly, proceed as follows:

- Standard mounting position: install the actuator housing suspended downward in horizontal pipelines (see Fig. 5-1).
- Make sure the direction of flow matches the direction indicated by the arrow on the body.
- Contact SAMSON if the mounting position is not as specified above.

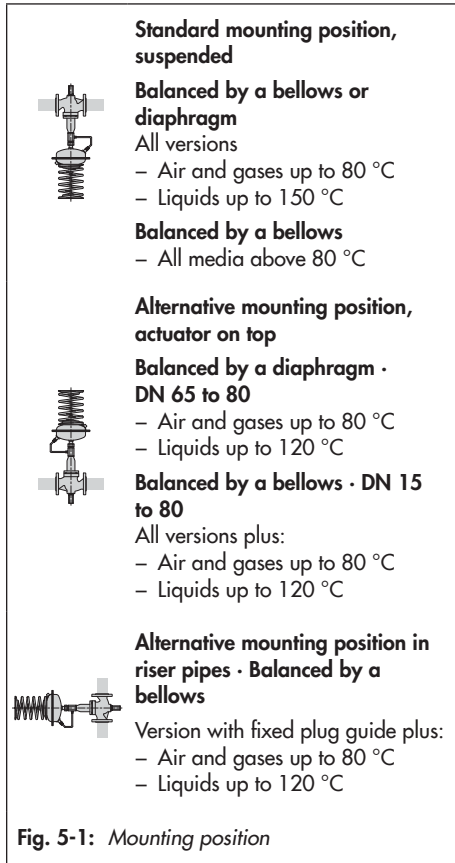
---

#### **NOTICE**

##### **Damage due to freezing.**

*Protect the regulator from icing up when controlling media that can freeze. Unless the regulator is installed in locations where no frost occurs, remove the regulator from the pipeline when the plant is shut down.*

---



### Support or suspension

#### **i Note**

The plant engineering company is responsible for selecting and implementing a suitable support or suspension of the installed regulator and the pipeline.

Depending on the regulator version and mounting position, the valve, actuator and pipeline must be supported or suspended.

#### **! NOTICE**

#### **Risk of regulator damage due to incorrect support.**

- Do not attach supports to the valve, to moving parts on the actuator or to the control lines.
- Contact SAMSON if the mounting position differs from the standard mounting position.

### Control line

Route the control lines on site preferably using a 8x1 mm (stainless) steel pipe. The pressure tapping point must at least three times the nominal size (DN) away from any pipe fittings (e.g. restrictions, bends or branches), that may cause turbulence in the flow. How the lines are routed generally depends on the installation site.

- Preferably connect the control line to the side of the main pipe (see Fig. 5-2 and Table 5-1).
- Do not change the pipe diameter of the main pipeline with an eccentric reducer.

#### **💡 Tip**

Control line kits, needle valves, condensation chambers and compression-type screw fittings can be supplied as required. These accessories are listed in ► T 3095.



### Needle valve

To additionally dampen the regulator or to shut off the control lines, we recommend also installing a needle valve in the control line in addition to the standard SAMSON screw joint with restriction. The standard SAMSON screw joint with restriction is located in the compression-type fitting at the (+) connection of the diaphragm actuator.

or prepared as necessary before installing the valve.

Proceed as follows:

- ➔ Lay out the necessary material and tools to have them ready during installation work.
- ➔ Check any mounted pressure gauges to make sure they function properly.

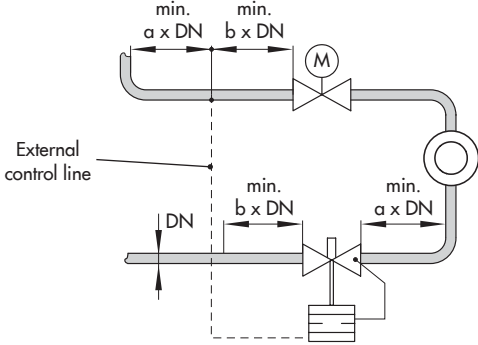
## 5.2 Preparation for installation

Valve and actuator can be assembled before or after the valve has been installed in the pipeline. SAMSON recommends first installing the valve without the actuator into the pipeline.

Before installation, make sure that the following conditions are met:

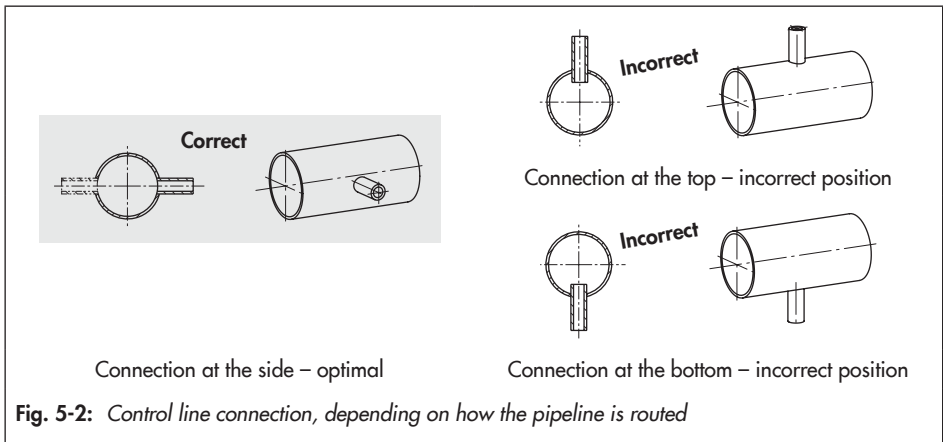
- The valve, actuator and all piping are not damaged.
- Install a strainer upstream of the regulator.
- The valve is clean.
- The valve data on the nameplate (type designation, nominal size, material, pressure rating and temperature range) match the plant conditions (nominal size and pressure rating of the pipeline, medium temperature etc.). See the 'Markings on the device' chapter for nameplate details.
- The requested or required additional fittings (see the 'Design and principle of operation' chapter) have been installed

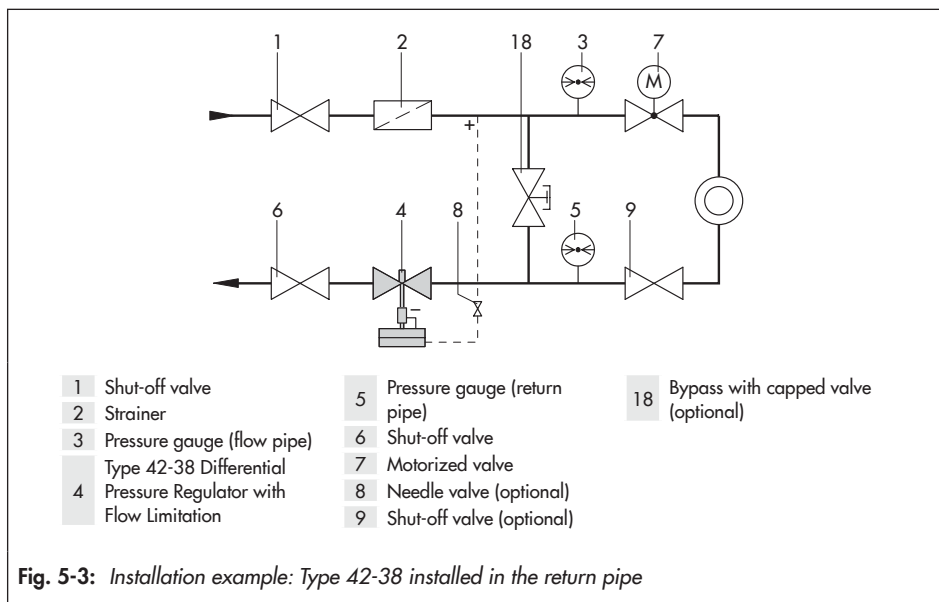
**Table 5-1: Inlet and outlet lengths (valve) and control line connections**



Control line connection, depending on how the pipeline is routed and depending on the components

State of process medium	Valve conditions	Inlet length a	Outlet length b
Liquid	Free of cavitation/ $w < 3 \text{ m/s}$	2	4
	Cavitation producing noise/ $w \leq 3 \text{ m/s}$	2	4





## 5.3 Installation

The components (valve, actuator and, if applicable, accessories) of the SAMSON regulator are delivered separately. Upon delivery, the separate components must be assembled together. The activities listed below are necessary for installation and before start-up of the regulator.

---

### **⚠ DANGER**

#### ***Danger due to suspended loads falling.***

- Stay clear of suspended or moving loads.
  - Close off and secure the transport paths.
- 

### **⚠ WARNING**

#### ***Risk of lifting equipment tipping over and risk of damage to lifting accessories due to exceeding the rated lifting capacity.***

- Only use approved lifting equipment and accessories whose minimum lifting capacity is higher than the weight of the valve (including actuator and packaging, if applicable).
  - Refer to the 'Design and principle of operation' chapter for the weights.
- 

### **⚠ WARNING**

#### ***Risk of personal injury due to the regulator tipping.***

- Observe the regulator's center of gravity.
  - Secure the regulator against tipping over or turning.
- 

---

### **⚠ WARNING**

#### ***Risk of injury due to incorrect lifting without the use of lifting equipment.***

*Lifting the regulator without the use of lifting equipment may lead to injuries (back injuries in particular) depending on the weight of the regulator and/or actuator.*

- Observe the guideline weight for manual handling: 15 to max. 55 kg per person taking into account age, gender and physical fitness.
  - When the actuator is filled with medium, take the weight of the medium also into account.
  - Refer to the 'Design and principle of operation' chapter for the weights of the regulator and actuator.
  - Observe the occupational health and safety regulations valid in the country of use.
- 

### **ⓘ NOTICE**

#### ***Risk of regulator damage due to the use of unsuitable tools.***

- Only use tools approved by SAMSON (see the 'Tools' chapter in the Appendix).
- 

### **ⓘ NOTICE**

#### ***Risk of regulator damage due to the use of unsuitable lubricants.***

- Only use lubricants approved by SAMSON (see the 'Lubricants' chapter in the Appendix).
-

**NOTICE****Risk of regulator damage due to over- or under-torquing.**

Observe the specified torques when tightening regulator components. Excessive tightening torques lead to parts wearing out more quickly. Parts that are too loose may cause leakage.

→ Observe the specified tightening torques (see the 'Tightening torques' chapter in the Appendix).

### 5.3.1 Installing the regulator

The regulator is installed in the downstream pressure pipe (return pipe) of the plant. See installation examples in Fig. 5-3.

1. Close the shut-off valves (1, 6) upstream and downstream of the regulator while the regulator is being installed.
2. Remove the protective caps from the valve ports before installing the valve.
3. Lift the valve using suitable lifting equipment to the site of installation. Observe the flow direction through the valve. The arrow on the valve indicates the direction of flow.
4. Make sure that the correct flange gaskets are used.
5. Bolt the pipe to the valve free of stress.
6. Mount the actuator.
  - Fasten the actuator on the valve by tightening the coupling nut (11), while observing the alignment of the control line connections. Observe the specified tight-

ening torques (see the 'Tightening torques' chapter in the Appendix).

7. Mount the control lines (to be installed on site) and any needle valves and open them.
  - Mount the control lines (to be installed on site) on the actuator. Observe the specified tightening torques (see the 'Tightening torques' chapter in the Appendix).

## 5.4 Testing the regulator

**⚠ DANGER****Risk of bursting due to incorrect opening of pressurized equipment or components.**

Regulators and pipelines are pressure equipment that may burst when handled incorrectly. Flying projectile fragments or the release of process medium under pressure can cause serious injury or even death.

Before working on the regulator:

- Depressurize all plant sections concerned and the regulator.
- Disconnect the control line.
- Drain the process medium from the plant sections affected as well as from the valve.

### WARNING

**Risk of personal injury due to pressurized components and as a result of process medium being discharged.**

*Incorrect opening of pressure equipment or mounting parts may lead to the process medium escaping to the atmosphere.*

- ➔ *Do not unscrew the control line while the valve is pressurized.*
- ➔ *Do not start up the regulator until all parts have been mounted.*

### WARNING

**Risk of hearing loss or deafness due to loud noise.**

*Noise emission (e.g. cavitation) may occur during operation caused by the process medium and the operating conditions.*

- ➔ *Wear hearing protection when working near the valve. Follow the instructions given by the plant operator.*

### WARNING

**Risk of burn injuries due to hot or very cold components and pipelines.**

*Depending on the process medium, valve components and pipelines may get very hot or cold and cause burn injuries.*

- ➔ *Wear protective clothing and safety gloves.*

The regulator components are delivered by SAMSON ready for use. To test the regulator functioning before start-up or putting back the regulator into operation, perform the following tests:

## 5.4.1 Leakage

The plant operator is responsible for performing the leak test and selecting the test method. The leak test must comply with the requirements of the national and international standards that apply at the site of installation.

### Tip

*SAMSON's After-sales Service can support you to plan and perform a leak test for your plant.*

- ➔ All required control lines are connected to the actuator and are not shut off.
- 1. Install the regulator into the pipeline (see Chapter "Installation").
- 2. Apply the required test pressure.
- 3. Check the regulator for leakage to the atmosphere.
- 4. Depressurize the pipeline section and regulator.
- 5. Rework any parts that leak and repeat the leak test.

## 5.4.2 Pressure test

### NOTICE

**Risk of valve damage due to a sudden pressure increase.**

– Slowly open the shut-off valves.

### Note

The plant operator is responsible for performing the pressure test. SAMSON's After-sales Service can support you to plan and perform a pressure test for your plant.

### Pressure test with mounted diaphragm actuator

During the pressure test, make sure the following conditions are met:

- All required control lines are connected to the actuator and are not shut off.
- Do not allow the pressure to exceed the 1.5 times the pressure rating of the valve body.
- Do not apply a pressure higher than the maximum specified pressure rating or maximum operating pressure to the actuator (see section 'Technical data' in the 'Design and principle of operation' chapter).
- Make sure that the pressure rises simultaneously upstream and downstream of the regulator to avoid damaging the balancing bellows or the balancing diaphragm.

If the **test pressure** of the valve is **higher** than the specified maximum permissible operating pressure of the diaphragm actuator:

- Depressurize the plant.
- Remove the control line (9 or 9.1) and seal the connection at the valve with a blanking plug.
- Remove the control line mounted on site. Close any control line connection in the plant by closing the installed shut-off valve or inserting a blanking plug.
- Seal the body connections with blanking plugs.

The diaphragm actuator remains mounted on the valve and seals off the valve.

### Pressure test without mounted diaphragm actuator

### WARNING

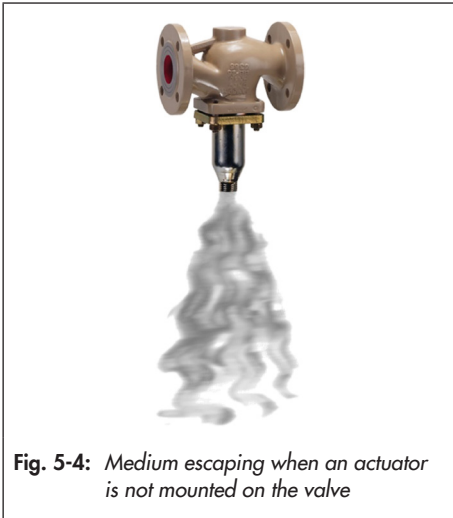
**Risk of personal injury due to pressurized components and as a result of process medium being discharged.**

*Incorrect opening of pressure equipment or mounting parts may lead to the process medium escaping to the atmosphere.*

- Do not unscrew the control line while the valve is pressurized.
- Do not start up the regulator until all parts have been mounted.

If the valve is not sealed off, the test medium escapes at the connection where the actuator is connected to the valve. It is not possible to perform a pressure test on the valve in this case (see Fig. 5-4).

- Seal off the valve using a coupling nut (0250-1037) with seal (0340-1962).



**Fig. 5-4:** *Medium escaping when an actuator is not mounted on the valve*

### 5.4.3 Filling the plant

Open the shut-off valves slowly over a time period of several minutes preferably starting from the upstream pressure side to fill the plant (all consumers and control lines are open).

- Make sure that the pressure rises simultaneously upstream and downstream of the regulator to avoid damaging the balancing bellows or the balancing diaphragm.

### 5.4.4 Cleaning the pipeline

We recommend additionally flushing the pipeline with installed regulator over a time period of several minutes before start-up.

- All required control lines are connected and not shut off.
- Before flushing the plant with the process medium, read the section 'Starting up the plant' in the 'Start-up' chapter.
- A higher set point is adjusted at the controller and all consumers are open to guarantee a high flow rate.
- Observe the mesh size of the upstream strainer for the maximum particle size. Use strainers to suit the process medium.
- Check the strainer for dirt each time the pipeline is flushed and clean it, if necessary.

If the regulator malfunctions due to clogging after flushing the pipeline, proceed as described in the 'Troubleshooting' chapter.



## 5.5 Insulation

To insulate cold systems, SAMSON recommends first filling the plant and carefully rinsing it. The regulator must not yet be insulated at this stage.

1. Start up the plant and adjust the set point (see the 'Start-up' chapter).
2. Shut down the plant again and let it heat up until the condensation water has dried off.
3. Insulate the regulator and pipes conveying the process medium using insulation material with a water vapor barrier. Use a stable sleeve to protect the external set point springs against touching or friction and include it in the insulation. If a control line is to be routed through the insulation, special care must be taken with the sealing since slight changes in shape may occur. The insulation thickness depends on the medium temperature and the ambient conditions. 50 mm is a typical thickness.

---

### **NOTICE**

***Risk of regulator damage due to incorrect insulation.***

- *The actuator must be insulated for medium temperatures below 0 °C.*
  - *The regulator must only be insulated up to the bottom section with balancing bellows or up to the connection of the actuator for medium temperatures above 80 °C.*
-



## 6 Start-up

The work described in this chapter is to be performed only by personnel appropriately qualified to carry out such tasks.

### **⚠ WARNING**

***Risk of personal injury due to pressurized components and as a result of process medium being discharged.***

*Incorrect opening of pressure equipment or mounting parts may lead to the process medium escaping to the atmosphere.*

- *Do not unscrew the control line while the valve is pressurized.*
- *Do not start up the regulator until all parts have been mounted.*

### **⚠ WARNING**

***Risk of burn injuries due to hot or cold components and pipeline.***

*Regulator components and the pipeline may become very hot or cold. Risk of burn injuries.*

- *Allow components and pipelines to cool down or warm up to the ambient temperature.*
- *Wear protective clothing and safety gloves.*

### **⚠ WARNING**

***Risk of hearing loss or deafness due to loud noise.***

*Noise emission (e.g. cavitation) may occur during operation caused by the process medium and the operating conditions.*

- *Wear hearing protection when working near the valve. Follow the instructions given by the plant operator.*

Before start-up or putting the device back into service, make sure the following conditions are met:

- The regulator is properly installed in the pipeline (see the 'Installation' chapter).
- The leak and function tests have been completed successfully (see section 'Testing the regulator' in the 'Installation' chapter).
- The prevailing conditions in the plant section concerned meet the regulator sizing requirements (see section 'Intended use' in the 'Safety instructions and measures' chapter).

## 6.1 Start-up and putting the device back into operation

1. Depending on the field of application, allow the regulator to cool down or warm up to reach ambient temperature before start up.
2. All consumer valves are open.
3. Open the shut-off valves slowly over a time period of several minutes. Slowly opening these valves prevents a sudden surge in pressure which may damage the regulator parts.
4. Check the regulator to ensure it functions properly (see section 'Adjusting the differential pressure set point' in the 'Operation' chapter).

## Start-up

Before starting up the plant, make sure the following conditions are met:

- The control lines are open (needle valve) and correctly connected.

## 6.2 Starting up the plant

1. The plant (e.g. consumer valve) must be open while the plant is being filled.
2. The control lines are open (needle valve) and correctly connected.
3. Open the shut-off valves **slowly** over a time period of several minutes starting from the upstream pressure side. Fill the plant with the medium.
4. Make sure that the pressure rises simultaneously upstream and downstream of the regulator to avoid damaging the balancing bellows or diaphragm.

## 7 Operation

### **⚠ WARNING**

**Risk of burn injuries due to hot or cold components and pipeline.**

Regulator components and the pipeline may become very hot or cold. Risk of burn injuries.

- Allow components and pipelines to cool down or warm up to the ambient temperature.
- Wear protective clothing and safety gloves.

### **⚠ WARNING**

**Risk of personal injury due to pressurized components and as a result of process medium being discharged.**

Incorrect opening of pressure equipment or mounting parts may lead to the process medium escaping to the atmosphere.

- Do not unscrew the control line while the valve is pressurized.
- Do not start up the regulator until all parts have been mounted.

### **⚠ WARNING**

**Risk of hearing loss or deafness due to loud noise.**

Noise emission (e.g. cavitation) may occur during operation caused by the process medium and the operating conditions.

- Wear hearing protection when working near the valve. Follow the instructions given by the plant operator.

Immediately after completing start-up or placing the regulator back into service (see the 'Start-up' chapter), the regulator is ready for use.

## 7.1 Adjusting the set points

→ See Fig. 7-1 and Fig. 7-2.

The following rule applies to all differential pressure regulators with flow limitation: first adjust the differential pressure and the flow limitation afterwards.

### 7.1.1 Adjusting the differential pressure set point

The differential pressure set point can only be adjusted on the Type 42-34 Regulator. The differential pressure set point of the Type 42-38 Regulator is determined by the internal set point springs (16).

- The control and shut-off valves as well as all consumers or a bypass valve (if installed) must be open.

### **i Note**

We recommend adjusting the regulator at an operating point at which the consumer valve is open by approximately 5%. This results in the highest controlled differential pressure.

## Operation

### Procedure for the Type 42-34 Regulator

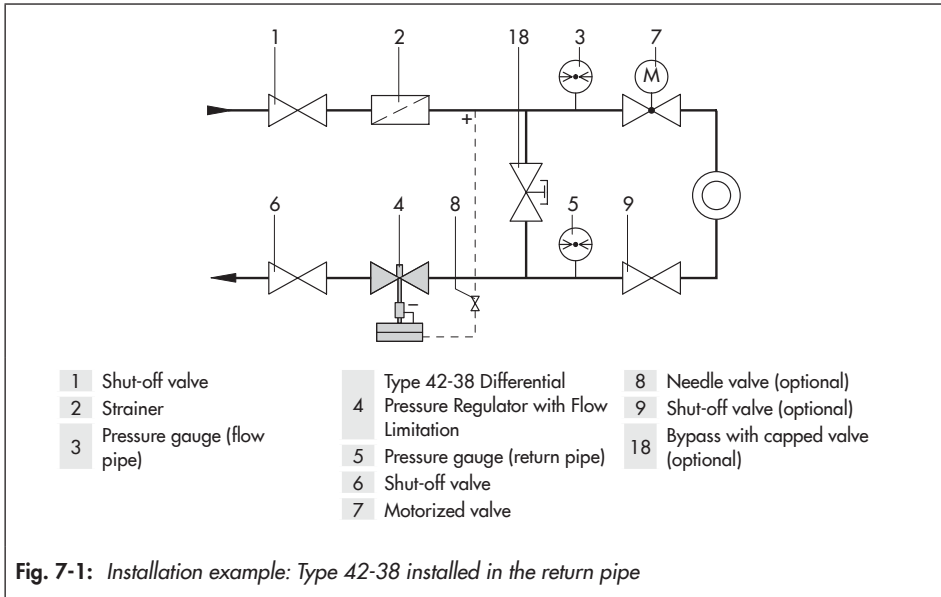
Adjust the required set point by tensioning the set point springs (16) at the set point adjuster (17).

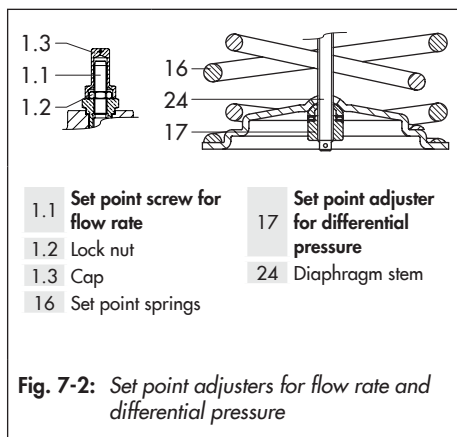
For smaller differential pressure set points, we recommend using a differential pressure pressure gauge instead of the pressure gauges (3 and 5) to check the pressure.

5. Close the motorized valve.
6. Unscrew the cap (1.3) and undo the lock nut (1.2).
7. Turn the flow set point screw (1.1) counterclockwise (↺) as far as it will go (fully open) to deactivate the flow limitation.
8. Relieve the tension from the set point springs (16).

9. Slightly open the motorized valve (approx. 10 % valve travel). See Fig. 7-1.
10. Adjust the differential pressure by turning the set point adjuster (17) to load the set point springs.
  - Turn the set point adjuster (17) clockwise (↻) to increase the pressure set point.
  - Turn the set point adjuster (17) counterclockwise (↺) to reduce the pressure set point.

Change the plant throughput (e.g. by opening and closing the consumer valve) to check the adjusted differential pressure at the regulator. Correct it, if necessary.





## 7.1.2 Adjusting the flow rate limitation

### NOTICE

Set point adjustment is always based on a closed restriction (1.4).

### How to proceed:

1. Unscrew the cap (1.3) and undo lock nut (1.2).
2. Turn the set point screw (1.1) clockwise to block the flow.
3. To achieve the maximum flow rate, all control and shut-off valves as well as all consumers including the motorized valve must be open (to ensure minimum drag in the plant).
4. Close the bypass valve, if installed.

5. Adjust the set point (see Table 7-2 and Table 7-3) by turning the set point screw (1.1) one turn at a time. Check the flow rate at the heat meter (reading of flow measuring unit). Adjust the flow rate in smaller steps until the required flow rate is constant ( $\pm 2\%$  deviations are generally acceptable).

Increase the differential pressure set point if the maximum flow rate is not reached.

6. After reaching the required flow rate, secure the set point screw (1.1) using the lock nut (1.2). Screw cap (1.3) back on.
7. Lead-seal the valve and actuator.

To adjust the flow rate limit when the pressure drop across the plant is known, use the adjustment diagrams for water (Fig. 7-9 to Fig. 7-4).

### Note

Using the set point screw (1.1)

– Turn clockwise ☺:

The restriction closes. The flow rate drops.

– Turn counterclockwise ☹:

The restriction opens. The flow rate rises.

### Note

We recommend adjusting the flow rate with the aid of a heat meter.

### 7.1.3 Based on a known plant pressure drop

To adjust the flow rate limit when the pressure drop of the plant is known, use the adjustment diagrams for water (Fig. 7-9 to Fig. 7-4).

#### How to proceed:

1. Unscrew the cap (1.3).
2. Undo lock nut (1.2) and turn the set point screw (1.1) clockwise as far as it will go to close the restriction.
3. Adjust the flow rate according to the value determined (number of turns in counterclockwise direction ☺).
4. Secure restriction setting using the lock nut (1.2) at the set point screw (1.1). Screw cap (1.3) back on.
5. Lead-seal the set point screw at the cap (1.3).

---

#### ! NOTICE

To determine the flow limitation to be adjusted and for Type 42-34 additionally the differential pressure set point, the differential pressure across the restriction ( $\Delta p_{\text{restriction}}$ ) must be added to the known pressure drop across the plant ( $\Delta p_{\text{plant}}$ ). From experience, the differential pressure at the restriction is assumed to be 0.2 bar.

The curves of the flow ranges in the following diagrams (Fig. 7-9 to Fig. 7-4) apply to 0.1, 0.2 and 0.5 bar.

---

### 7.1.4 Based on an unknown plant pressure drop

To adjust the flow rate limit when the pressure drop across the plant is not known.

#### Procedure

1. Unscrew the cap (1.3).
2. Undo lock nut (1.2) and turn the set point screw (1.1) clockwise (☺) to close the restriction.
3. Completely open the motorized valve.
4. Open the restriction initially one turn at a time. Check the flow rate at the heat meter (reading of flow measuring unit). Adjust the flow rate in smaller steps until the required flow rate is constant (2 % deviations are generally acceptable).  
If the maximum flow rate is not reached, the differential pressure set point (in Type 42-34) must be increased.
5. After reaching the required flow rate, secure the restriction setting using the lock nut (1.2). Screw cap (1.3) back on.
6. Lead-seal the set point screw at the cap (1.3).
7. Lead-seal the actuator at the spindle.



## 7.2 Pressure conditions in the plant and at the regulator

On selecting the differential pressure set point or set point range, note that the differential pressure set point ( $\Delta p_{\text{set point}}$ ) results from the known pressure drop across the fully open plant ( $\Delta p_{\text{plant}}$ ) and the differential pressure created at the restriction ( $\Delta p_{\text{restriction}}$ ). See Fig. 7-3.

The flow rate set points for water at a differential pressure at the restriction  $\Delta p_{\text{restriction}}$  of 0.1, 0.2 and 0.5 bar are specified in Table 7-2 and Table 7-3.

$$\Delta p_{\text{set point}} = \Delta p_{\text{plant}} + \Delta p_{\text{restriction}}$$

The minimum required differential pressure  $\Delta p_{\text{min}}$  across the valve is calculated as follows:

$$\Delta p_{\text{min}} = \Delta p_{\text{set point}} + \left( \frac{\dot{V}}{K_{VS}} \right)^2$$

$\Delta p_{\text{min}}$	Minimum differential pressure across the valve in bar
$\Delta p_{\text{restriction}}$	Differential pressure created at the restriction for measuring the flow rate
$\Delta p_{\text{set point}}$	Differential pressure set point in bar
$\Delta p_{\text{plant}}$	Differential pressure (pressure loss) when the plant is completely open in bar
$\dot{V}$	Adjusted flow rate in m <sup>3</sup> /h
$K_{VS}$	Valve flow coefficient in m <sup>3</sup> /h

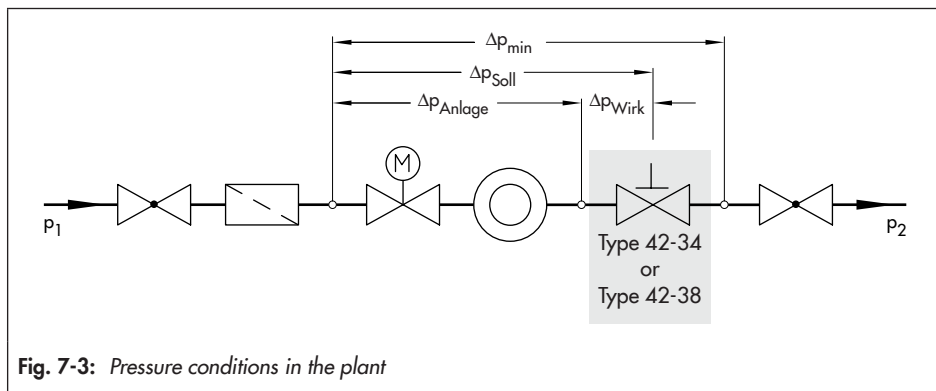


Fig. 7-3: Pressure conditions in the plant

### 7.3 Sample application

Adjusting the flow limitation (medium: water) when the pressure loss across the plant is known.

#### Known:

- A **Type 46-34, DN 25**, set point range from **0.25 to 3.5 m<sup>3</sup>/h** is to be used to limit the flow rate in the plant to **3.0 m<sup>3</sup>/h**.
- The pressure loss across the plant ( $\Delta p_{\text{plant}}$ ) is **0.4 bar**.
- Determine the adjustment values using the adjustment diagram Fig. 7-4 on page 7-7.

#### To be determined:

What is the limit value of the differential pressure set point and how many turns of the set point screw are necessary?

#### Solution:

Sequence: points **A** to **E** in diagram (Fig. 7-4).

The calculation is based on the **pressure drop**  $\Delta p$  across the plant, therefore, this value must be known.

**$\Delta p = 0.4 \text{ bar}$**  is specified in the example and corresponds with **point A** in the diagram. The differential pressure at the restriction ( $\Delta p_{\text{restriction}}$ ) assumed to be **0.2 bar** in the example, must be added.

A line representing this value is drawn from **A** across to the right and results in point **B**. **Point B** is situated on the same straight line for the differential pressure  **$\Delta p = 0.6 \text{ bar}$**  (see Chapter 7.1.1).

---

#### NOTICE

To adjust the differential pressure according to the adjustment diagrams (Fig. 7-4 to Fig. 7-9), it must be possible to also adjust the actuator set point required in addition to the calculated value.

- Select the set point range after calculating the required differential pressure.
- 

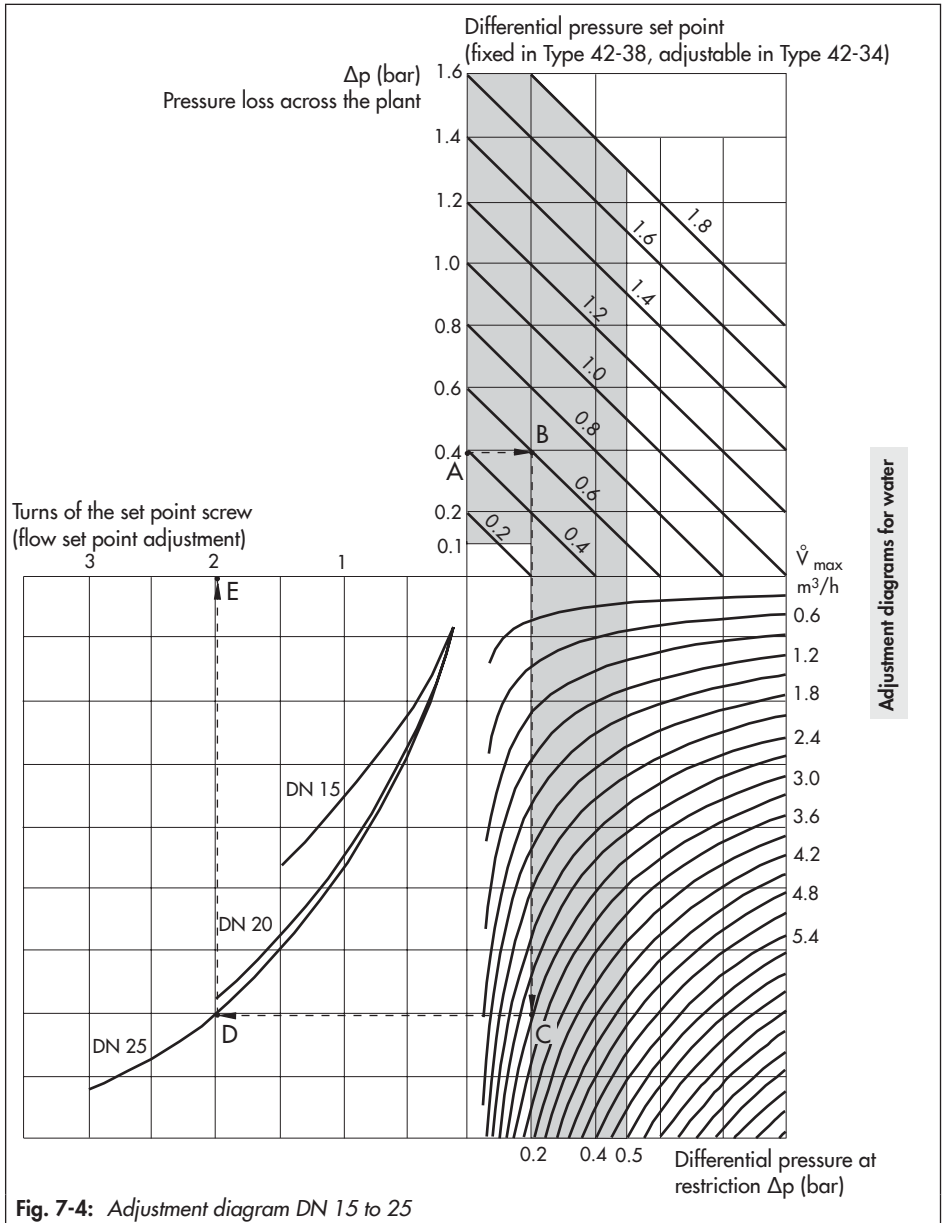
A vertical line is drawn from **point B** until it reaches the limiting curve for the flow rate (in the example, it is 3.0 m<sup>3</sup>/h). This is **point C**.

The horizontal line is drawn from **point C** across to the curve relevant to the nominal size (DN) or  $K_{VS}$  coefficient used; this is **point D**.

When a line is drawn vertically upwards from **point D**, this results in **point E** which indicates how many turns of the set point screw are required.

The example shows that around **1.9 turns** are required.

Based on a closed restriction, turn the set point screw (1.1) **1.9 turns** counterclockwise  $\cup$  to open the restriction.



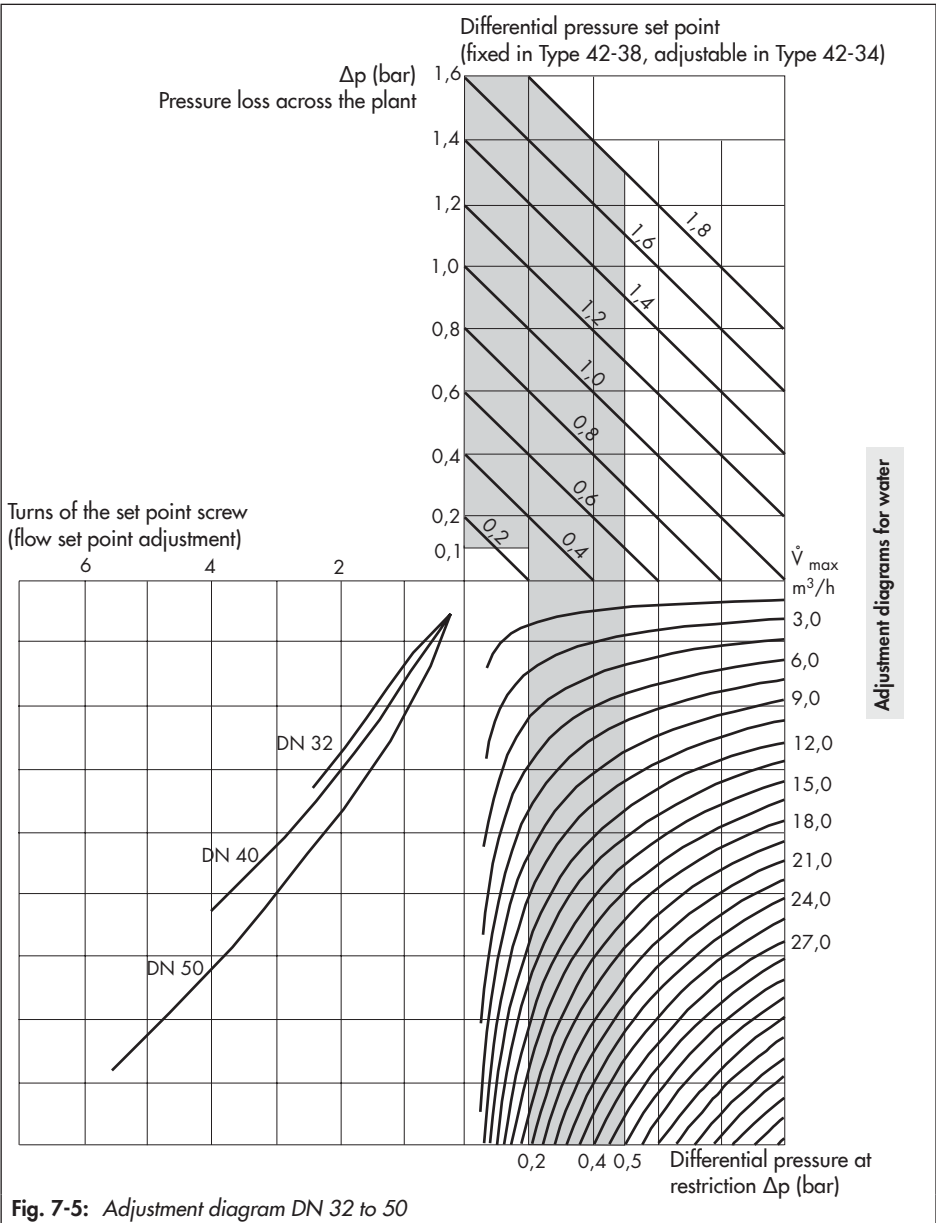


Fig. 7-5: Adjustment diagram DN 32 to 50

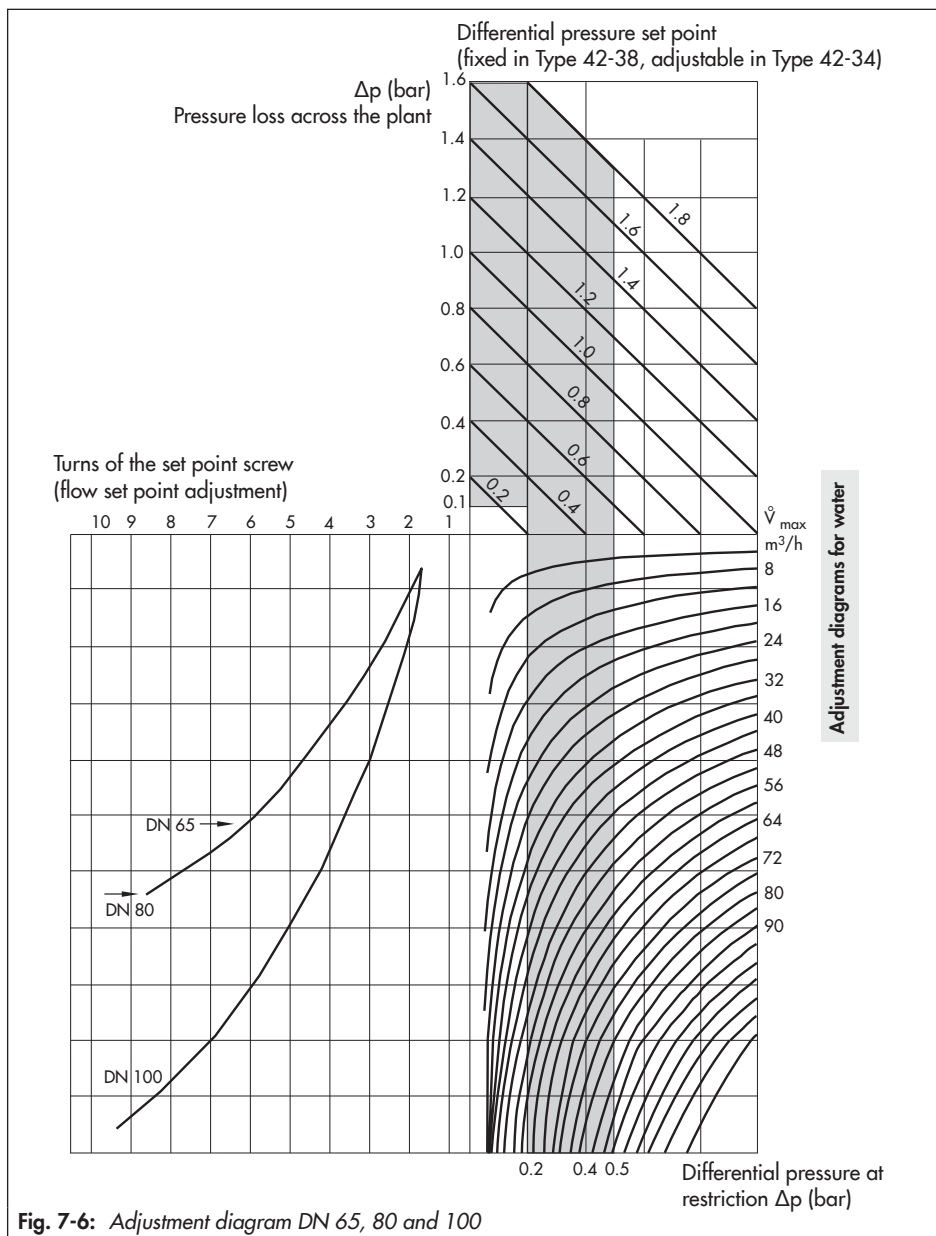


Fig. 7-6: Adjustment diagram DN 65, 80 and 100

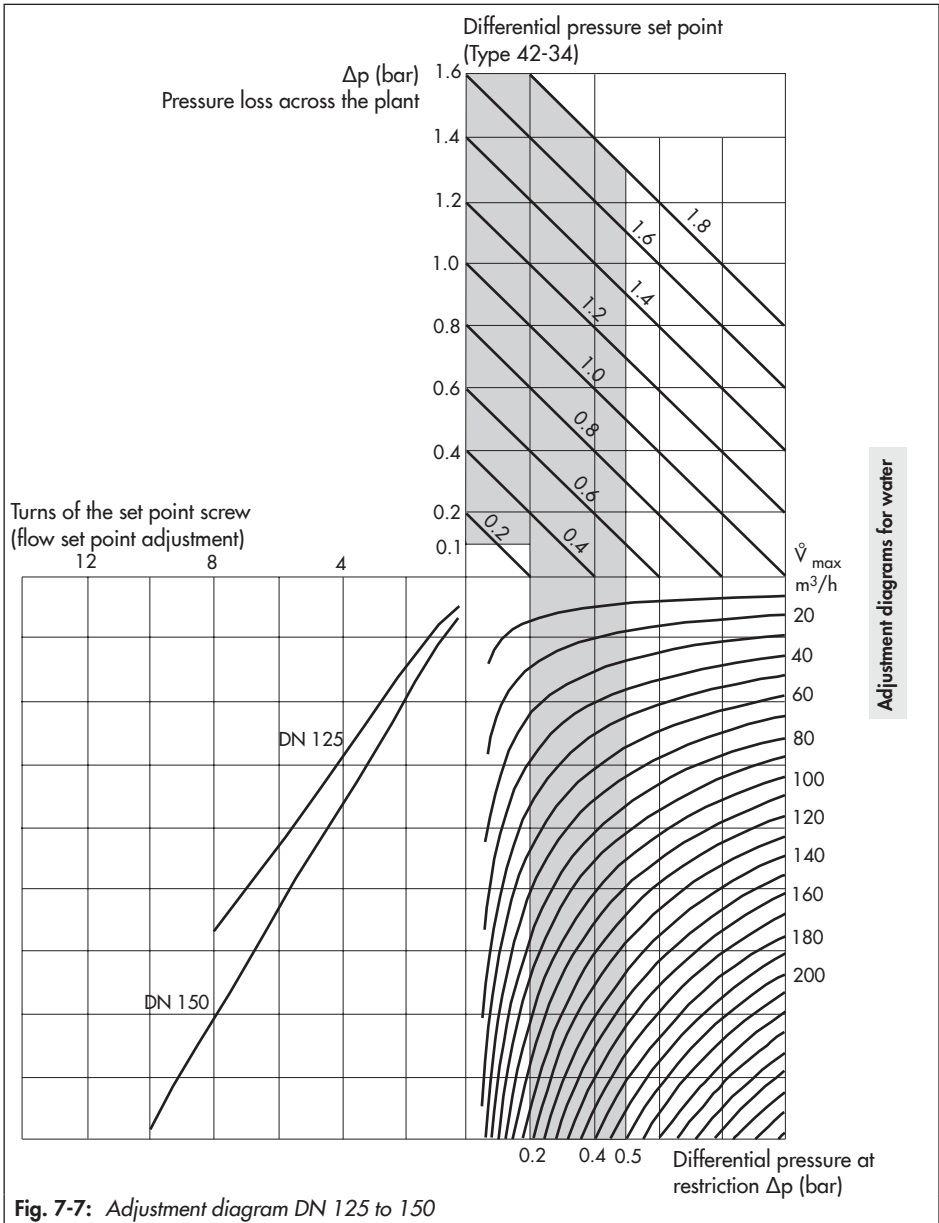


Fig. 7-7: Adjustment diagram DN 125 to 150

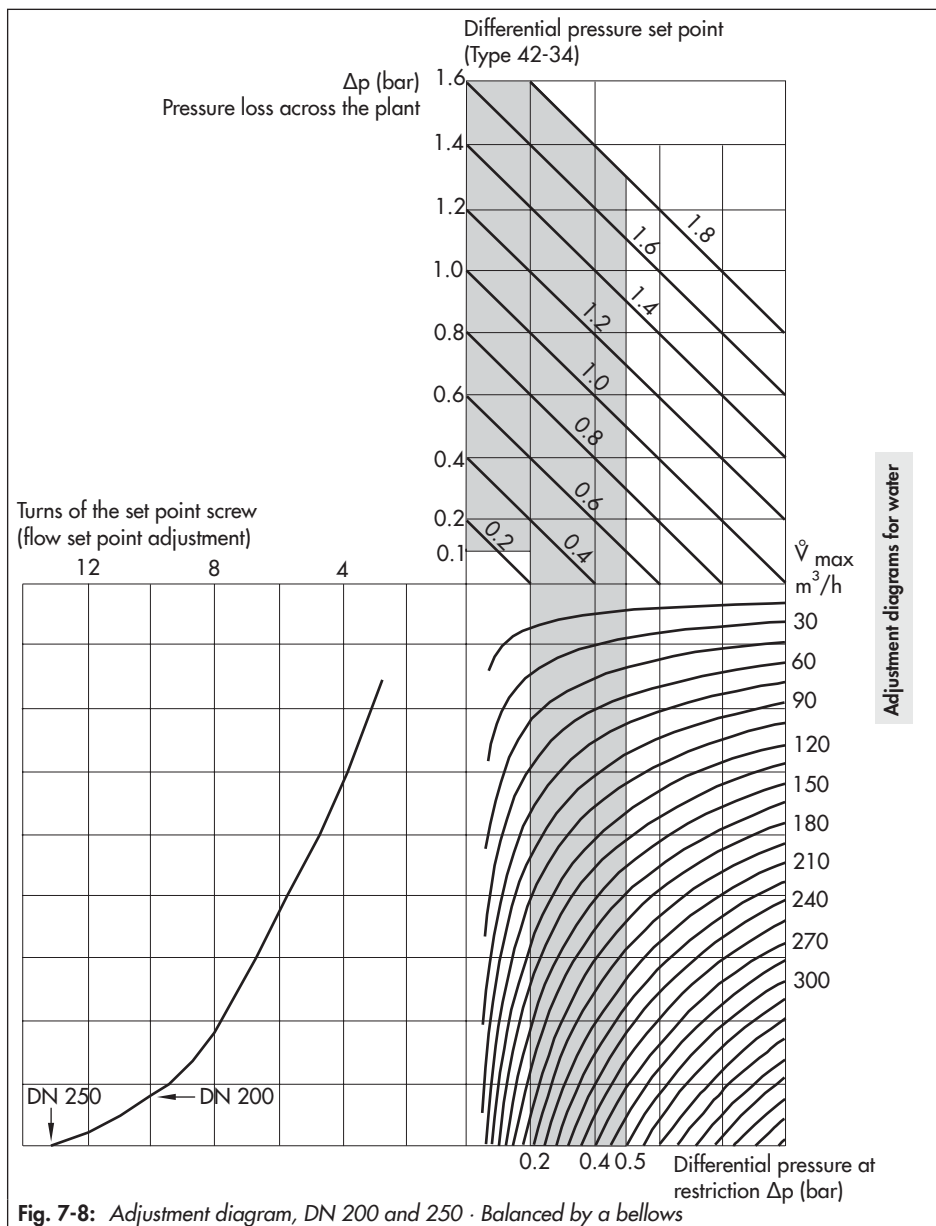


Fig. 7-8: Adjustment diagram, DN 200 and 250 · Balanced by a bellows

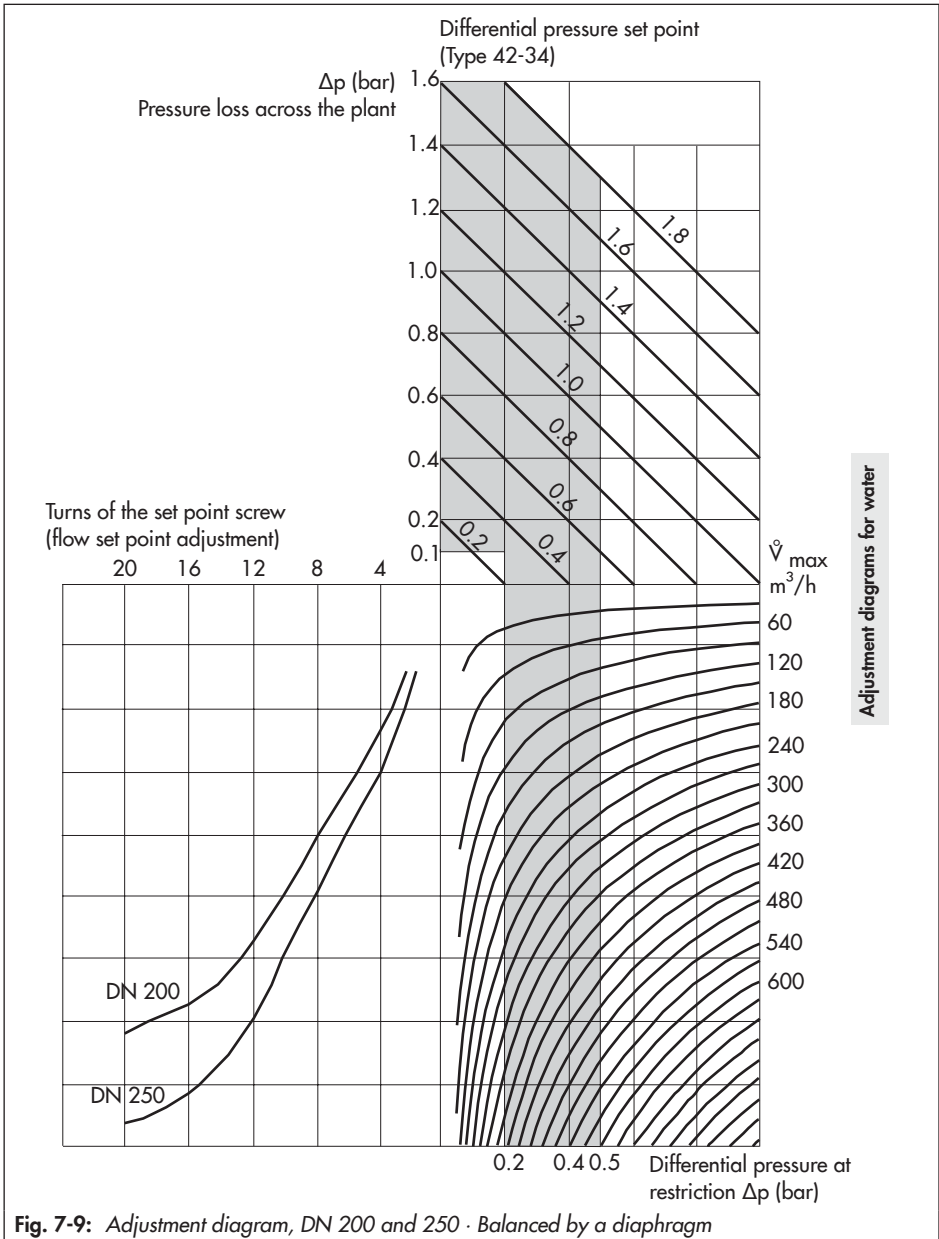


Fig. 7-9: Adjustment diagram, DN 200 and 250 · Balanced by a diaphragm



**Table 7-2:** Flow rate set point ranges for water · Type 2423 Valve, balanced by a bellows

$\Delta p_{\text{set point}}$	$\Delta p_{\text{plant}}$	$\Delta p_{\text{restriction}}$	DN	15	20	25	32	40	50	65	80	100	125	150	200	250
			$\dot{V}$ Min.	0.05	0.15	0.25	0.4	0.6	0.9	2	3.5	6.5	11	18	20	26
0.2 bar	0.1 bar	0.1 bar	$\dot{V}$ Max.	1.4	2.1	2.4	4.9	7.7	11.2	19	28	44	56	84	126	154
0.5 bar	0.3 bar	0.2 bar	$\dot{V}$ Max.	2	3	3.5	7	11	16	28	40	63	80	120	180	220
1.0 bar	0.5 bar	0.5 bar	$\dot{V}$ Max.	3	4.5	5.3	9.5	16	24	40	58	90	120	180	260	300
Max. permissible differential pressure $\Delta p$				25 bar					20 bar		16 bar		12 bar		10 bar	

**Table 7-3:** Flow rate set point ranges for water · Type 2423 Valve, balanced by a diaphragm

Nominal size	DN	65	80	100	125	150	200	250
Differential pressure across the restriction $\Delta p_{\text{restriction}}$	0.2 bar	2 to 28	3.5 to 35 <sup>1)</sup>	6.5 to 63	11 to 120	18 to 180	20 to 320	26 to 350
	0.5 bar	3.5 to 40	6.5 to 55	11 to 90	18 to 180	20 to 260	26 to 450	30 to 520
Max. permissible differential pressure $\Delta p$		10 bar			12 bar		10 bar	

<sup>1)</sup> 7 to 35 m<sup>3</sup>/h (160 cm<sup>2</sup> actuator), 7 to 40 m<sup>3</sup>/h (320 cm<sup>2</sup> actuator)



## 8 Malfunctions

### 8.1 Troubleshooting

Malfunction	Possible reasons	Recommended action
Flow rate or differential pressure exceeds adjusted set point	Insufficient pressure pulses on the operating diaphragm	→ Clean the control line and screw fittings.
	Foreign particles blocking the plug	→ Remove foreign particles. → Replace damaged parts. → Contact SAMSON's After-sales Service.
	Seat and plug are worn or leak.	→ Replace the damaged seat and plug. → Contact SAMSON's After-sales Service.
	Regulator and its $K_{VS}/C_V$ coefficient too <b>large</b> for control task ( <b>flow rate</b> ) or too small ( <b>differential pressure</b> )	→ Check the sizing. → Change $K_{VS}/C_V$ coefficient, if necessary or install a different sized regulator. → Contact SAMSON's After-sales Service.
	Safety device, e.g. pressure limiter, has been triggered	→ Check plant. If necessary, unlock safety device.
	Pressure tapped at the wrong place.	→ Reconnect control lines at a different place. Do not tap pressure at pipe bends or necks.
	Defective operating diaphragm	→ Replace damaged diaphragm.
Differential pressure fluctuates.	Regulator or $K_{VS}/C_V$ coefficient too large	→ Check the sizing. → Change $K_{VS}/C_V$ coefficient, if necessary or install a different sized regulator. → Contact SAMSON's After-sales Service.
	The restriction in the control line for pressure tapping is too large or missing.	→ Install a restriction. → Install a smaller restriction.
Slow control response	Restriction in the screw joint of the actuator dirty or too small	→ Do not close the screw joint with restriction completely. → Clean screw joint or install larger screw joint.
	Dirt in the control line	→ Clean the control line.
Jerky control response	Increased friction, e.g. due to foreign particles between seat and plug	→ Remove foreign particles. → Replace damaged parts. → Contact SAMSON's After-sales Service.

## Malfunctions

Malfunction	Possible reasons	Recommended action
Flow or differential pressure set point not reached	Regulator installed against the flow	→ Install the regulator so that the direction of flow matches the direction indicated by the arrow on the body.
	Plant differential pressure $\Delta p$ too low	→ Compare differential pressure in the plant with the plant's drag. Plant differential pressure $\Delta p_{\min} = \Delta p_{\text{restriction}} + (V/K_{VS})^2$
	Regulator or $K_{VS}/C_V$ coefficient too large	→ Check the sizing. → Change $K_{VS}/C_V$ coefficient, if necessary or install a different sized regulator. → Contact SAMSON's After-sales Service.
	Safety device, e.g. pressure limiter, has been triggered	→ Check plant. If necessary, unlock safety device.
	Incorrect set point range selected	→ Check set point range → Contact SAMSON's After-sales Service.
	Foreign particles blocking the plug	→ Remove foreign particles. → Replace damaged parts. → Contact SAMSON's After-sales Service.
	Control line blocked	→ Clean the control line and screw fittings.
	Strainer blocked	→ Clean the strainer.
	Defective operating diaphragm	→ Replace damaged diaphragm.
Loud noises	High flow velocity, cavitation	→ Check the sizing. → Install larger regulator, if necessary.

### **i** Note

Contact SAMSON's After-sales Service for malfunctions not listed in the table.

The malfunctions listed in Chapter 8.1 are caused by mechanical faults and incorrect regulator sizing. In the simplest case, the functioning can be restored following the recommended action. Special tools may be required to rectify the fault.

Exceptional operating and installation conditions may lead to changed situations that may affect the control response and lead to malfunctions. For troubleshooting, the conditions, such as installation, process medium, temperature and pressure conditions, must be taken into account.

**Tip**

*SAMSON's After-sales Service can support you in drawing up an inspection and test plan for your plant.*

---

## 8.2 Emergency action

Plant operators are responsible for emergency action to be taken in the plant.

SAMSON recommends removing the regulator from the pipeline before repairing it.

In the event of a regulator malfunction:

1. Close the shut-off valves upstream and downstream of the regulator to stop the process medium from flowing through the regulator.
2. Perform troubleshooting (see Chapter 8.1).
3. Rectify those malfunctions that can be remedied following the information given in this document. Contact SAMSON's After-sales Service in all other cases.

### **Putting the device back into operation after a malfunction**

See the 'Start-up' chapter.



## 9 Servicing

The regulator does not require much maintenance. Nevertheless, it is subject to natural wear, particularly at the seat, plug and operating diaphragm. Depending on the operating conditions, check the regulator at regular intervals to avoid possible malfunctions.

Plant operators are responsible for drawing up an inspection and test plan. Details on faults and how to remedy them can be found in the 'Malfunctions' chapter.

The work described in this chapter is to be performed only by personnel appropriately qualified to carry out such tasks.

SAMSON recommends removing the regulator from the pipeline before performing any maintenance or service work.

---

### **⚠ DANGER**

***Danger due to suspended loads falling.***

- *Stay clear of suspended or moving loads.*
  - *Close off and secure the transport paths.*
- 

### **⚠ WARNING**

***Risk of burn injuries due to hot or cold components and pipeline.***

*Regulator components and the pipeline may become very hot or cold. Risk of burn injuries.*

- *Allow components and pipelines to cool down or warm up to the ambient temperature.*
  - *Wear protective clothing and safety gloves.*
- 

### **⚠ WARNING**

***Risk of personal injury due to residual process medium in the regulator.***

*While working on the regulator, residual process medium can escape and, depending on its properties, may lead to personal injury, e.g. (chemical) burns.*

- *Wear protective clothing, safety gloves and eye protection.*
- 

### **⚠ WARNING**

***Risk of personal injury due to the regulator tipping.***

- *Observe the regulator's center of gravity.*
  - *Secure the regulator against tipping over or turning.*
-

---

### **⚠ WARNING**

#### **Risk of injury due to incorrect lifting without the use of lifting equipment.**

Lifting the regulator without the use of lifting equipment may lead to injuries (back injuries in particular) depending on the weight of the regulator and/or actuator.

- Observe the occupational health and safety regulations valid in the country of use.
  - Observe the guideline weight for manual handling: 15 to max. 55 kg per person taking into account age, gender and physical fitness.
  - When the actuator is filled with medium, take the weight of the medium also into account.
  - Refer to the 'Design and principle of operation' chapter for the weights of the regulator and actuator.
- 

### **⚠ WARNING**

#### **Risk of lifting equipment tipping over and risk of damage to lifting accessories due to exceeding the rated lifting capacity.**

- Only use approved lifting equipment and accessories whose minimum lifting capacity is higher than the weight of the valve (including actuator and packaging, if applicable).
  - Refer to the 'Design and principle of operation' chapter for the weights.
- 

---

### **📌 NOTICE**

#### **Risk of regulator damage due to over- or under-torquing.**

Observe the specified torques when tightening regulator components. Excessive tightening torques lead to parts wearing out more quickly. Parts that are too loose may cause leakage.

- Observe the specified tightening torques (see the 'Tightening torques' chapter in the Appendix).
- 

---

### **📌 NOTICE**

#### **Risk of regulator damage due to the use of unsuitable tools.**

- Only use tools approved by SAMSON (see the 'Tools' chapter in the Appendix).
- 

---

### **📌 NOTICE**

#### **Risk of regulator damage due to the use of unsuitable lubricants.**

- Only use lubricants approved by SAMSON (see the 'Lubricants' chapter in the Appendix).
-



---

**i Note**

***The regulator was checked by SAMSON before it left the factory.***

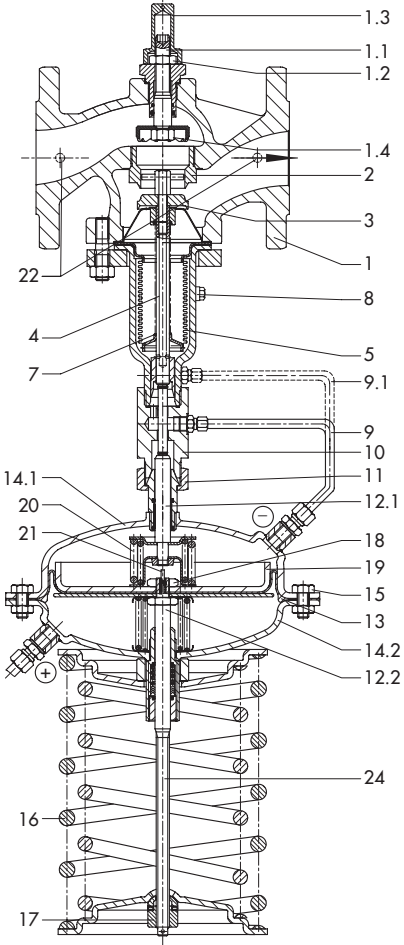
- *Certain test results certified by SAMSON lose their validity when the regulator is opened. Such testing includes seat leakage and leak tests.*
  - *The product warranty becomes void if service or repair work not described in these instructions is performed without prior agreement by SAMSON's After-sales Service.*
  - *Only use original spare parts by SAMSON, which comply with the original specifications.*
- 

** Tip**

*SAMSON's After-sales Service can support you in drawing up an inspection and test plan for your plant.*

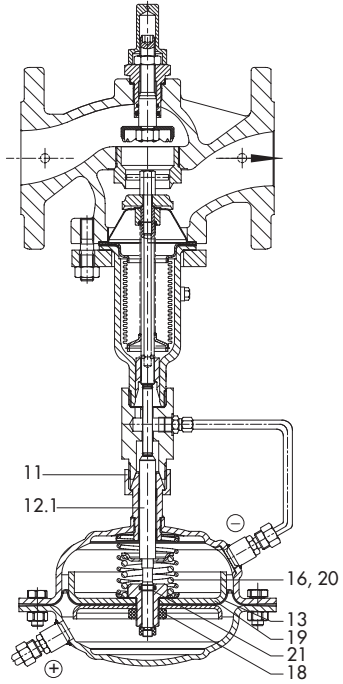
---

Type 2423 Valve, DN 15 to 250 · Balanced by a bellows



Type 2424 Actuator  
Type 42-34

Type 2423 Valve  
DN 15 to 100 · Balanced by a bellows



Type 2428 Actuator  
Type 42-38

Fig. 9-1: Functional diagram for regulators, DN 15 to 250 with balancing bellows

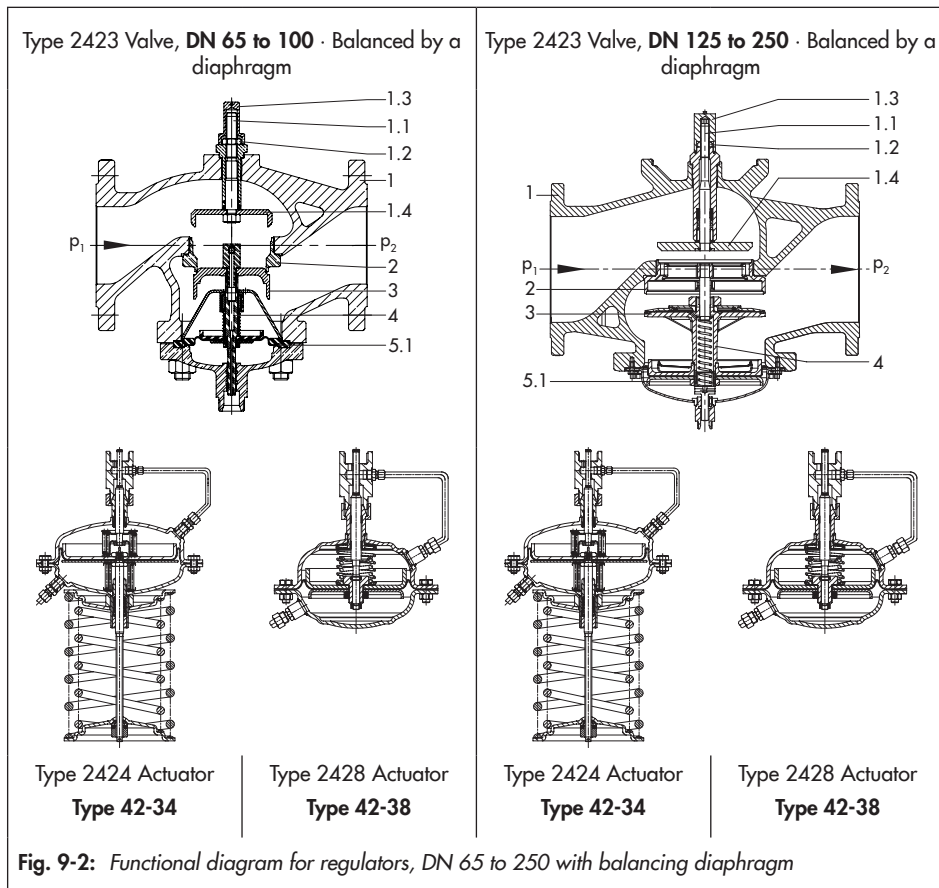


Fig. 9-2: Functional diagram for regulators, DN 65 to 250 with balancing diaphragm

Legend for Fig. 9-1 and Fig. 9-2

1 Valve body	5.1 Balancing diaphragm	11 Coupling nut	17 Set point adjustment for differential pressure (set point adjuster)
Flow set point adjustment (set point screw)	7 Spring	12.1 Diaphragm stem	18 Nut
1.1 Lock nut	8 Screw plug (balanced by a bellows, DN 125 and larger)	12.2 Diaphragm stem	19 Diaphragm plate
1.2 Cap	9 Low-pressure control line (up to DN 100)	13 Operating diaphragm	20 Force limiter
1.3 Restriction	9.1 Low-pressure connection (DN 125 and larger)	14.1 Top diaphragm case (valve on top)	21 Internal excess pressure valve
2 Seat	10 Connecting piece (up to DN 100)	14.2 Bottom diaphragm case (valve on top)	22 Blanking plug at side
3 Plug		15 Nuts and bolts	24 Diaphragm stem
4 Plug stem		16 Set point springs	
5 Balancing bellows			

### 9.1 Service work preparations

1. Lay out the necessary material and tools to have them ready for the service work.
2. Put the regulator out of operation (see the 'Decommissioning' chapter).



#### Tip

*SAMSON recommends removing the regulator from the pipeline before performing any service work (see the 'Removing the regulator from the pipeline' chapter).*

---

The following service work can be performed after preparation is completed:

- Replace the actuator (see Chapter 9.4)
- Replace the seat and plug (see Chapter 9.5)
- Replace the actuator's operating diaphragm (see Chapter 9.6)

### 9.2 Installing the regulator after service work

- Put the regulator back into operation (see the 'Start-up' chapter). Make sure the requirements and conditions for start-up or putting the valve back into operation are met.

### 9.3 Service work

- Before performing any service work, preparations must be made to the regulator (see Chapter 9.1).
- After all service work is completed, check the regulator before putting it back into operation (see section 'Testing the regulator' in the 'Installation' chapter).

### 9.4 Replacing the actuator

- See Fig. 9-1 and Fig. 9-2

#### Removing the actuator

1. Put the regulator out of operation (see the 'Decommissioning' chapter).
2. Unscrew all control lines.
3. Unscrew the coupling nut (11) of the diaphragm actuator from the valve. Remove the actuator.

#### Mounting the actuator

1. Place the diaphragm actuator on the valve and tighten the coupling nut (11). Observe the specified tightening torques (see the 'Tightening torques' chapter in the Appendix).
2. Screw on all control lines. Observe the specified tightening torques (see the 'Tightening torques' chapter in the Appendix).

- Put the regulator back into operation (see the 'Start-up' chapter).

## 9.5 Replacing the seat and plug

To replace seat and plug, contact SAMSON's After-sales Service.

Further information is available in the 'After-sales service' chapter in the Appendix.

## 9.6 Exchanging the operating diaphragm unit in the actuator



### Tip

*The associated order number is written on the actual operating diaphragm.*

---

### 9.6.1 Type 2428 Actuator

→ See Fig. 9-1 and Fig. 9-2

#### Removing the operating diaphragm unit

- Put the regulator out of operation (see the 'Decommissioning' chapter).
- Unscrew all control lines.
- Unscrew the coupling nut (11) of the diaphragm actuator from the valve. Remove the actuator.
- Clamp the coupling nut (11) of the actuator into a suitable fixture.

- Unscrew nuts and bolts (15) from the actuator. Remove the bottom diaphragm case (14.2).
- Pull the operating diaphragm unit (consisting of items 13, 18, 19, 21 and 24) out of the top diaphragm case (14.1).

#### Installing the operating diaphragm unit

- Insert the new operating diaphragm unit into the top diaphragm case (14.1).
- Place on the bottom diaphragm case (14.2).
- Insert nuts and bolts (15) and tighten gradually in a crisscross pattern. Observe the specified tightening torques (see the 'Tightening torques' chapter in the Appendix).
- Place the diaphragm actuator on the valve and tighten the coupling nut (11). Observe the specified tightening torques (see the 'Tightening torques' chapter in the Appendix).
- Screw on all control lines. Observe the specified tightening torques (see the 'Tightening torques' chapter in the Appendix).
- Put the regulator back into operation (see the 'Start-up' chapter).

### 9.6.2 Type 2424 Actuator

→ See Fig. 9-1 and Fig. 9-2

### Removing the operating diaphragm unit

1. Put the regulator out of operation (see the 'Decommissioning' chapter).
2. Completely relieve the tension from the set point springs (16) by turning the set point adjuster (17) counterclockwise (↺).

---

#### **⚠ WARNING**

*Stored energy in the set point springs can cause components to move in an uncontrolled manner resulting in injury to hands or fingers.*

---

3. Unscrew all control lines.
  4. Unscrew the coupling nut (11) of the diaphragm actuator from the valve. Remove the actuator.
  5. Clamp the coupling nut (11) of the actuator into a suitable fixture.
  6. Lift off the set point adjuster (17) together with needle bearing, washer, spring plate and set point springs (16).
  7. Unscrew nuts and bolts (15) from the actuator. Lift off the bottom diaphragm case (14.2) including the operating diaphragm unit (consisting of items 13, 18, 19, 21 and 24).
  8. Pull the operating diaphragm unit out of the top diaphragm case (14.2). Exchange the operating diaphragm unit.
2. Place the bottom diaphragm case (14.2) with the new operating diaphragm unit onto the top diaphragm case (14.1).
  3. Insert nuts and bolts (15) and tighten gradually in a crisscross pattern. Observe the specified tightening torques (see the 'Tightening torques' chapter in the Appendix).
  4. Place on the set point springs (16) together with spring plate, needle bearing and washer. Screw on the set point adjuster (17).
  5. Place the diaphragm actuator on the valve and tighten the coupling nut (11). Observe the specified tightening torques (see the 'Tightening torques' chapter in the Appendix).
  6. Screw on all control lines. Observe the specified tightening torques (see the 'Tightening torques' chapter in the Appendix).
  7. Put the regulator back into operation (see the 'Start-up' chapter).

### Installing the operating diaphragm unit

1. Insert the new operating diaphragm unit into the bottom diaphragm case (14.2).

## 9.7 Ordering spare parts and operating supplies

Contact your nearest SAMSON subsidiary or SAMSON's After-sales Service for information on spare parts, lubricants and tools.

### **Spare parts**

See the Appendix for details on spare parts.

### **Lubricants**

Contact SAMSON's After-sales Service for more information on lubricants.

### **Tools**

Contact SAMSON's After-sales Service for more information on tools.





## 10 Decommissioning

The work described in this chapter is to be performed only by personnel appropriately qualified to carry out such tasks.

### **⚠ DANGER**

#### ***Risk of bursting due to incorrect opening of pressurized equipment or components.***

Regulators and pipelines are pressure equipment that may burst when handled incorrectly. Flying projectile fragments or the release of process medium under pressure can cause serious injury or even death.

Before working on the regulator:

- Depressurize all plant sections concerned and the regulator.
- Drain the process medium from the plant sections affected as well as from the valve.

### **⚠ WARNING**

#### ***Risk of burn injuries due to hot or cold components and pipeline.***

Regulator components and the pipeline may become very hot or cold. Risk of burn injuries.

- Allow components and pipelines to cool down or warm up to the ambient temperature.
- Wear protective clothing and safety gloves.

### **⚠ WARNING**

#### ***Risk of personal injury due to pressurized components and as a result of process medium being discharged.***

Incorrect opening of pressure equipment or mounting parts may lead to the process medium escaping to the atmosphere.

- Do not unscrew the control line while the valve is pressurized.
- Do not start up the regulator until all parts have been mounted.

### **⚠ WARNING**

#### ***Risk of hearing loss or deafness due to loud noise.***

Noise emission (e.g. cavitation) may occur during operation caused by the process medium and the operating conditions.

- Wear hearing protection when working near the valve. Follow the instructions given by the plant operator.

### **⚠ WARNING**

#### ***Crush hazard arising from moving parts.***

- Do not insert hands or fingers between the set point springs while the regulator is in operation.

## Decommissioning

→ Before starting any work on the regulator, depressurize plant sections as well as the regulator.

---

### **WARNING**

#### **Risk of personal injury due to residual process medium in the regulator.**

While working on the regulator, residual process medium can escape and, depending on its properties, may lead to personal injury, e.g. (chemical) burns.

→ Wear protective clothing, safety gloves and eye protection.

---

To put the regulator out of operation for service work or before removing it from the pipeline, proceed as follows:

1. Close the shut-off valve (1) on the upstream side of the regulator.
2. Close the shut-off valve (6) on the downstream side of the regulator.
3. Depressurize the plant.
4. Completely drain the pipelines and valve.
5. If necessary, allow the pipeline and regulator components to cool down or warm up to the ambient temperature.

## 11 Removal

The work described in this chapter is to be performed only by personnel appropriately qualified to carry out such tasks.

### **⚠ WARNING**

#### ***Risk of burn injuries due to hot or cold components and pipeline.***

*Regulator components and the pipeline may become very hot or cold. Risk of burn injuries.*

- *Allow components and pipelines to cool down or warm up to the ambient temperature.*
- *Wear protective clothing and safety gloves.*

### **⚠ WARNING**

#### ***Risk of personal injury due to residual process medium in the regulator.***

*While working on the regulator, residual process medium can escape and, depending on its properties, may lead to personal injury, e.g. (chemical) burns.*

- *Wear protective clothing, safety gloves and eye protection.*

Before removing, make sure that the following conditions are met:

- The regulator is put out of operation (see the 'Decommissioning' chapter).

### 11.1 Removing the regulator from the pipeline

1. Support the regulator to hold it in place when separated from the pipeline (see the 'Shipment and on-site transport' chapter).
2. Unbolt the flanged joint.
3. Remove the regulator from the pipeline (see the 'Shipment and on-site transport' chapter).

### 11.2 Removing the actuator from the valve

See the 'Servicing' chapter.



## 12 Repairs

If the regulator does not function properly according to how it was originally sized or does not function at all, it is defective and must be repaired or exchanged.

### ! NOTICE

**Risk of regulator damage due to incorrect service or repair work.**

→ Contact SAMSON's After-sales Service for service and repair work.

### 12.1 Returning devices to SAMSON

Defective devices can be returned to SAMSON for repair.

Proceed as follows to return devices:

1. Exceptions apply concerning some special device models
  - ▶ [www.samsongroup.com](http://www.samsongroup.com) > Service > After-sales Service.
2. Send an e-mail ▶ [retouren@samsongroup.com](mailto:retouren@samsongroup.com) to register the return shipment including the following information:
  - Type
  - Material number
  - Item numbers of accessories
  - Original order
  - Completed Declaration on Contamination, which can be downloaded from our website at
    - ▶ [www.samsongroup.com](http://www.samsongroup.com) > Service > After-sales Service.

**After checking your registration, we will send you a return merchandise authorization (RMA).**

3. Attach the RMA (together with the Declaration on Decontamination) to the outside of your shipment so that the documents are clearly visible.
4. Send the shipment to the address given on the RMA.

### i Note

Further information on returned devices and how they are handled can be found at

▶ [www.samsongroup.com](http://www.samsongroup.com) > Service > After-sales Service.



## 13 Disposal



SAMSON is a producer registered in Europe, agency in charge  
 ► <https://www.samsung.com/en/about-samsung/environment-social-governance/material-compliance/waste-electrical-and-electronic-equipment-weee-and-its-safe-disposal/>.  
 WEEE reg. no.: DE 62194439

- Observe local, national and international refuse regulations.
- Do not dispose of components together with your other household waste.

Information on substances listed as substances of very high concern (SVHC) on the candidate list of the REACH regulation can be found in the document "Additional Information on Your Inquiry/Order", which is added to the order documents, if applicable. This document includes the SCIP number assigned to the devices concerned. This number can be entered into the database on the European Chemicals Agency (ECHA) website (► <https://www.echa.europa.eu/scip-database>) to find out more information on the SVHC contained in the device.

---

### **i** Note

*SAMSON can provide you with a recycling passport on request. Simply e-mail us at [aftersaleservice@samsung.com](mailto:aftersaleservice@samsung.com) giving details of your company address.*

---

### **💡** Tip

*On request, SAMSON can appoint a service provider to dismantle and recycle the product as part of a distributor take-back scheme.*

---





## 14 Certificates

The EU declarations of conformity are included on the next pages:

- EU declaration of conformity in compliance with Pressure Equipment Directive 2014/68/EU on page 14-2.
- EU declaration of conformity in compliance with Machinery Directive 2006/42/EC for Type 42-34 and Type 42-38 Regulators on page 14-8.
- Declaration of incorporation in compliance with Machinery Directive 2006/42/EC for the Type 2423 Valve as well as Type 2424 and Type 2428 Actuators on page 14-10.

EU DECLARATION OF CONFORMITY  
TRANSLATION



Module A

For the following products, SAMSON hereby declares under its sole responsibility:

Devices	Series	Type	Version
Self-operated Regulators	43	2432	DIN EN, body, CC499K and EN-GJS-400-18-LT, DN 50, PN 25, fluids G2, L2, L1 <sup>1)</sup>
	43	2436	DIN EN, body, CC499K and EN-GJS-400-18-LT, DN 50, PN 25, fluids G2, L2, L1 <sup>1)</sup>
	43	2437	DIN EN, body, CC499K and EN-GJS-400-18-LT, DN 50, PN 25, fluids G2, L2, L1 <sup>1)</sup>
	---	2111	DIN EN, body, EN-GJS-400-18-LT, DN 50, PN 25, fluids G2, L2, L1 <sup>1)</sup> DIN EN, body, 1.0619 and 1.4408, DN 40-50, PN 40, fluids G2, L2, L1 <sup>1)</sup> ANSI, body, A216 WCC and A351 CF8M, NPS 1½-2, Class 300, fluids G2, L2, L1 <sup>1)</sup>
Three-way valve	---	2119	DIN EN, body, EN-GJL-250 and 1.0619, DN 65-125, PN 16, fluids G2, L2, L1 <sup>1)</sup>
			DIN EN, body, 1.0619, DN 50-80, PN 25, fluids G2, L2, L1 <sup>1)</sup>
			DIN EN, body, 1.0619 and 1.4408, DN 40-50, PN 40, fluids G2, L2, L1 <sup>1)</sup>
			ANSI, body, A216 WCC and A351 CF8M, NPS 2½-4, Class 150, fluids G2, L2, L1 <sup>1)</sup> ANSI, body, A216 WCC and A351 CF8M, NPS 1½, Class 300, fluids G2, L2, L1 <sup>1)</sup>
Control valve	---	3222	DIN EN, body, EN-GJS-400-18-LT, DN 50, PN 25, fluids G2, L2, L1 <sup>1)</sup>
			DIN EN, body, CC499K, DN 32-40, PN 25, all fluids
Three-way valve	---	3226	DIN EN, body, CC499K, DN 50, PN 25, fluids G2, L2 <sup>2)</sup>
Three-way valve	---	3260	DIN EN, body, EN-GJL-250, DN 65-200, PN 16, fluids G2, L2 <sup>2)</sup>
Globe valve Three-way valve	V2001	3531	DIN EN, body, EN-GJS-400-18-LT, DN 50-80, PN 25, fluids G2, L2, L1 <sup>1)</sup>
		3535	DIN EN, body, 1.0619 and 1.4408, DN 32-40, PN 25, all fluids ANSI, body, A216 WCC and A351 CF8M, NPS 1½-2, Class 150, all fluids
Control valve	---	3214	DIN EN, body, EN-GJL-250, DN 65-125, PN 16, fluids G2, L2, L1 <sup>1)</sup>
			DIN EN, body, EN-GJS-400-18-LT, DN 50-80, PN 25, fluids G2, L2, L1 <sup>1)</sup>
			ANSI, body, A126 B, NPS 3-4, Class 125, fluids G2, L2, L1 <sup>1)</sup>
			ANSI, body, A216 WCC and A351 CF8M, NPS 1½-2, Class 150, all fluids
Self-operated Regulators	42	2423	DIN EN, body, EN-GJL-250 and EN-GJS-400-18-LT, DN 65-125, PN 16, fluids G2, L2, L1 <sup>1)</sup>
			DIN EN, body, EN-GJS-418-LT, DN 50-80, PN 25, fluids G2, L2, L1 <sup>1)</sup>
			DIN EN, body, 1.0619 and 1.4408, DN 32-50, PN 16, all fluids
			DIN EN, body, 1.0619 and 1.4408, DN 32-40, PN 25, all fluids ANSI, body, A126 B, NPS 3-4, Class 125, fluids G2, L2, L1 <sup>1)</sup>
	42	2422	DIN EN, body, EN-GJL-250 and EN-GJS-400-18-LT, DN 65-125, PN 16, fluids G2, L2, L1 <sup>1)</sup>
			DIN EN, body, EN-GJS-400-18-LT, DN 50-80, PN 25, fluids G2, L2, L1 <sup>1)</sup>
			DIN EN, body, 1.0619, 1.4408 and 1.6220+QT, DN 32-50, PN 16, all fluids
			ANSI, body, A126 B, NPS 3-4, Class 125, fluids G2, L2, L1 <sup>1)</sup> ANSI, body, A216 WCC, A351 CF8M and A352 LCC, NPS 1½-2, Class 150, all fluids
Strainers	1N/1NI	2601	DIN EN, body, CB752S, G 2 (DN50), PN25, fluids G2, L2 <sup>2)</sup>
Strainers	2N/2NI	2602	DIN EN, body, EN-GJL-250, DN 200-250, PN 10, fluids G2, L2, L1 <sup>1)</sup>
			DIN EN, body, EN-GJL-250, DN 65-125, PN 16, fluids G2, L2, L1 <sup>1)</sup>
			DIN EN, body, EN-GJS-400-18-LT, DN 100-125, PN 16, fluids G2, L2, L1 <sup>1)</sup>
			DIN EN, body, EN-GJS-400-18-LT, DN 50-80, PN 25, fluids G2, L2, L1 <sup>1)</sup> DIN EN, body, 1.4408, DN 32-50, PN 16, all fluids
Self-operated Regulators	---	2373/2375	ANSI, body, A995 4A and A995 5A, NPS 1½-2, Class 150, all fluids
		2440 (44-0B) 2441 (44-1B) 2440 (44-8B)	DIN EN, body, EN-GJS-400-18-LT, DN 50, PN 25, fluids G2, L2, L1 <sup>1)</sup>
	44	2442 (44-2) 2443 (44-3) 2444 (44-4) 2447 (44-7) 2449 (44-9)	DIN EN, body, EN-GJS-400-18-LT and CC499K, DN 50, PN 25, fluids G2, L2, L1 <sup>1)</sup>

Revision 01

EU DECLARATION OF CONFORMITY  
TRANSLATION



Devices	Series	Type	Version
Self-operated Regulators	45	2451 (45-1)	DIN EN, body, EN-GJS-400-18-LT and CC499K, DN 50, PN 25, fluids G2, L2, L1 <sup>1)</sup>
		2452 (45-2)	
		2453 (45-3)	
		2454 (45-4)	
		2456 (45-6)	
	46	2465 (46-5)	DIN EN, body, EN-GJS-400-18-LT and CC499K, DN 50, PN 25, fluids G2, L2, L1 <sup>1)</sup>
		2466 (46-6)	
		2467 (46-7)	
		2469 (46-9)	
	47	2471 (47-1)	DIN EN, body, EN-GJS-400-18-LT and CC499K, DN 50, PN 25, fluids G2, L2, L1 <sup>1)</sup>
		2474 (47-4)	
		2475 (47-5)	
		2479 (47-9)	
	48	2488	DIN EN, body, EN-GJS-400-18-LT and CC499K, DN 50, PN 25, fluids G2, L2, L1 <sup>1)</sup>
		2489	
	40	2405	DIN EN, body, EN-GJS-400-18-LT, DN 50, PN 25, fluids G2, L2, L1 <sup>1)</sup>
			ANSI, body, A216 WCC and A351 CF8M, NPS 1½-2, Class 150, all fluids
		2406	DIN EN, body, EN-GJL-250, DN 65-125, PN 16, fluids G2, L2, L1 <sup>1)</sup>
			DIN EN, body, EN-GJS-400-18-LT, DN 50, PN 25, fluids G2, L2, L1 <sup>1)</sup>
			ANSI, body, A126 B, NPS 3-4, Class 125, fluids G2, L2, L1 <sup>1)</sup>
			ANSI, body, A216 WCC and A351 CF8M, NPS 1½-2, Class 150, all fluids
	41	2412 2417	DIN EN, body, EN-GJL-250, DN 65-100, PN 16, fluids G2, L2, L1 <sup>1)</sup>
			DIN EN, body, EN-GJS-400-18-LT, DN 50-80, PN 25, fluids G2, L2, L1 <sup>1)</sup>
			ANSI, body, A126 B, NPS 3-4, Class 125, fluids G2, L2, L1 <sup>1)</sup>
	42	2421 RS	ANSI, body, A216 WCC and A351 CF8M, NPS 1½-2, Class 150, all fluids
			DIN EN, body, 1.0619, 1.4408, 1.4571 and 1.4401/1.4404, DN 32-50, PN 16, all fluids
	---	2331	DIN EN, body, 1.0619, 1.4408, 1.4571 and 1.4401/1.4404, DN 32-40, PN 25, all fluids
			ANSI, body, A216 WCC, A351 CF8M and A182 F316/A182 F316L, NPS 1½-2, Class 150, all fluids
	---	2337	DIN EN, body, EN-GJL-250, DN 65-200, PN 16, fluids G2, L2 <sup>2)</sup>
			DIN EN, body, EN-GJS-400-18-LT, DN 65-150, PN 16, fluids G2, L2 <sup>2)</sup>
---	2333 2335	DIN EN, body, EN-GJS-400-18-LT, DN 65-125, PN 25, fluids G2, L2 <sup>2)</sup>	
		DIN EN, body 1.0619, DN 65-200, PN 16, fluids G2, L2 <sup>2)</sup>	
---	2334	DIN EN, body 1.0619, DN 65-100, PN 40, fluids G2, L2 <sup>2)</sup>	
		DIN EN, body 1.0619, DN 250, PN 25, fluids L1 <sup>1)</sup>	
---	2404-1	DIN EN, body, EN-GJL-250, DN 65-125, PN 16, fluids G2, L2, L1 <sup>1)</sup>	
		DIN EN, body, EN-GJS-400-18-LT, DN 65-125, PN 16, fluids G2, L2, L1 <sup>1)</sup>	
---	2404-2	DIN EN, body, EN-GJL-250, DN 65-125, PN 16, fluids G2, L2, L1 <sup>1)</sup>	
		DIN EN, body, EN-GJS-400-18-LT, DN 65-80, PN 25, fluids G2, L2, L1 <sup>1)</sup>	

<sup>1)</sup> Gases according to Article 4(1)(c.i), second indent  
Liquids according to Article 4(1)(c.ii)

<sup>2)</sup> Gases according to Article 4(1)(c.i), second indent  
Liquids according to Article 4(1)(c.ii), second indent

Revision 01

EU DECLARATION OF CONFORMITY  
TRANSLATION



That the products mentioned above comply with the requirements of the following standards:

Directive of the European Parliament and of the Council on the harmonization of the laws of the Member States relating to the making available on the market of pressure equipment	2014/68/EU	of 15. May 2014
Applied conformity assessment procedure for fluids according to Article 4(1)	Module A	

Technical standards applied: DIN EN 12516-2, DIN EN 12516-3, ASME B16.34

Manufacturer: SAMSON AG, Weismüllerstraße 3, 60314 Frankfurt am Main, Germany

Frankfurt am Main, 05. June 2024

pp. Norbert Tollas  
Senior Vice President  
Global Operations

i.V. Peter Scheermesser  
Director  
Product Maintenance & Engineered Products

Revision 01

Classification: Public · SAMSON AKTIENGESELLSCHAFT · Weismuellerstrasse 3 · 60314 Frankfurt am Main, Germany Page 3 of 3

EU DECLARATION OF CONFORMITY  
TRANSLATION



**Module H / N° CE-0062-PED-H-SAM 001-22-DEU-rev-A**

For the following products, SAMSON hereby declares under its sole responsibility:

Devices	Series	Type	Version
Three-way valve	---	2119	DIN EN, body, EN-GJL-250 and 1.0619, DN 150, PN 16, fluids G2, L2, L1 <sup>1)</sup>
			DIN EN, body, 1.0619, DN 100-150, PN 25, fluids G2, L2, L1 <sup>1)</sup>
			DIN EN, body, 1.0619 and 1.4408, DN 65-150, PN 40, fluids G2, L2, L1 <sup>1)</sup>
			ANSI, body, A216 WCC and A351 CF8M, NPS 6, Class 150, fluids G2, L2, L1 <sup>1)</sup>
			ANSI, body, A216 WCC and A351 CF8M, NPS 2-6, Class 300, fluids G2, L2, L1 <sup>1)</sup>
Self-operated Regulators	---	3222	DIN EN, body, CC499K, DN 50, PN 25, all fluids
Three-way valve	---	3260	DIN EN, body, EN-GJL-250, DN 250-300, PN 16, fluids G2, L2 <sup>1)</sup>
Globe valve Three-way valve	V2001	3531	DIN EN, body, 1.0619 and 1.4408, DN 50-80, PN 25, all fluids
		3535	ANSI, body, A216 WCC and A351 CF8M, NPS 2½-3, Class 150, all fluids
Control valve	---	3214	DIN EN, body, EN-GJL-250, DN 150-400, PN 16, fluids G2, L2, L1 <sup>1)</sup>
			DIN EN, body, EN-GJS-400-18-LT, DN 100-150, PN 25, fluids G2, L2, L1 <sup>1)</sup>
			DIN EN, body, 1.0619, DN 32-400, PN 40, all fluids
			ANSI, body, A126 B, NPS 6-10, Class 125, fluids G2, L2, L1 <sup>1)</sup>
			ANSI, body, A216 WCC, NPS 2½-10, Class 150, all fluids
Self-operated Regulators	42	2423	ANSI, body, A216 WCC, NPS 1½-10, Class 300, all fluids
			DIN EN, body, EN-GJL-250, DN 150-250, PN 16, fluids G2, L2, L1 <sup>1)</sup>
			DIN EN, body, EN-GJS-400-18-LT, DN 150, PN 16, fluids G2, L2, L1 <sup>1)</sup>
			DIN EN, body, EN-GJS-400-18-LT, DN 100-150, PN 25, fluids G2, L2, L1 <sup>1)</sup>
			DIN EN, body, 1.0619 and 1.4408, DN 65-250, PN 16, all fluids
			DIN EN, body, 1.0619 and 1.4408, DN 50-250, PN 25, all fluids
			DIN EN, body, 1.0619 and 1.4408, DN 32-250, PN 40, all fluids
			ANSI, body, A126 B, NPS 6-10, Class 125, fluids G2, L2, L1 <sup>1)</sup>
			ANSI, body, A216 WCC and A351 CF8M, NPS 2½-10, Class 150, all fluids
			ANSI, body, A216 WCC and A351 CF8M, NPS 1½-10, Class 300, all fluids
			DIN EN, body, EN-GJL-250, DN 150-400, PN 16, fluids G2, L2, L1 <sup>1)</sup>
			DIN EN, body, EN-GJS-400-18-LT, DN 100-150, PN 25, fluids G2, L2, L1 <sup>1)</sup>
			DIN EN, body, 1.0619 and 1.4408, DN 85-400, PN 16, all fluids
			DIN EN, body, 1.0619 and 1.4408, DN 200-400, PN 25, all fluids
			DIN EN, body, 1.0619 and 1.4408, DN 32-400, PN 40, all fluids
DIN EN, body, 1.0460, DN 40-50, PN 40, all Fluids			
Self-operated Regulators	42	2422	DIN EN, body, 1.6220+QT, DN 65-250, PN 16, all fluids
			DIN EN, body, 1.6220+QT, DN 200-250, PN 25, all fluids
			DIN EN, body, 1.6220+QT, DN 32-250, PN 40, all fluids
			ANSI, body, A126 B, NPS 6-16, Class 125, fluids G2, L2, L1 <sup>1)</sup>
			ANSI, body, A216 WCC and A351CF8M, NPS 2½-16, Class 150, all fluids
			ANSI, body, A216 WCC and A351CF8M, NPS 1½-16, Class 300, all fluids
			ANSI, body, A105, NPS 1½-2, Class 300, all fluids
			ANSI, body, A352 LCC, NPS 2½-10, Class 150, all fluids
			ANSI, body, A352 LCC, NPS 1½-10, Class 300, all fluids
			DIN EN, body, 1.0619 and 1.4408, DN 65-150, PN 16, all fluids
			DIN EN, body, 1.0619 and 1.4408, DN 50-150, PN 25, all fluids
			DIN EN, body, 1.0619 and 1.4408, DN 32-150, PN 40, all fluids
			DIN EN, body, 1.4571 and 1.4401/1.4404, DN 50, PN 25, all fluids
			DIN EN, body, 1.4571 and 1.4401/1.4404, DN 32-50, PN 40, all fluids
			ANSI, body, A216 WCC and A351 CF8M, NPS 2½-6, Class 150, all fluids
ANSI, body, A216 WCC and A351 CF8M, NPS 1½-6, Class 300, all fluids			
Self-operated Regulators	42	2421RS	DIN EN, body, 1.0619 and 1.4408, DN 50-150, PN 25, all fluids
			DIN EN, body, 1.0619 and 1.4408, DN 32-150, PN 40, all fluids
			DIN EN, body, 1.4571 and 1.4401/1.4404, DN 50, PN 25, all fluids

Revision 01

Classification: Public · SAMSON AKTIENGESELLSCHAFT · Weismuellerstrasse 3 · 60314 Frankfurt am Main, Germany

Page 1 of 3

EU DECLARATION OF CONFORMITY  
TRANSLATION



Devices	Series	Type	Version
Self-operated Regulators	40	2405	DIN EN, body, 1.0619, 1.4571, 1.4404, 1.4408, 1.0460, DN 32-50, PN40, all fluids
			ANSI, body, A105, A182 F316L, A351 CF8M, A216 WCC, NPS 1½-2, Class 300, all fluids
			DIN EN, body, EN-GJL-250, DN 150, PN 16, fluids G2, L2, L1 <sup>1)</sup>
			DIN EN, body, 1.0619 and 1.4408, DN 32-150, PN 40, all fluids
			DIN EN, body, 1.0460 and 1.4404, DN 32-50, PN 40, all fluids
			ANSI, body, A126 B, NPS 6, Class 125, fluids G2, L2, L1 <sup>1)</sup>
		2406	ANSI, body, A216 WCC and A351 CF8M, NPS 2½-6, Class 150, all fluids
			ANSI, body, A216 WCC and A351 CF8M, NPS 1½-6, Class 300, all fluids
			ANSI, body, A105 and A182 F316L, NPS 1½-2, Class 300, all fluids
			DIN EN, body, EN-GJS-400-18-LT, DN 100, PN25, fluids G2, L2, L1 <sup>1)</sup>
			DIN EN, body, 1.0619 and 1.4408, DN 32-100, PN 40, all fluids
			DIN EN, body, 1.0460, 1.4571 and 1.4404, DN 32-80, PN 40, all fluids
	41	2412 2417	ANSI, body, A216 WCC and A351 CF8M, NPS 2½-4, Class 150, all fluids
			ANSI, body, A216 WCC and A351 CF8M, NPS 1½-4, Class 300, all fluids
			ANSI, body, A105 and A182 F316L, NPS 1½-3, Class 300, all fluids
			DIN EN, body, EN-GJL-250, DN 150, PN16, fluids G2, L2, L1 <sup>1)</sup>
			DIN EN, body, 1.0619 und 1.4408, DN 32-150, PN 40, all fluids
			ANSI, body, A126 B, NPS 6, Class 125, fluids G2, L2, L1 <sup>1)</sup>
	---	2404-1	ANSI, body, A216 WCC und A351 CF8M, NPS 2½-6, Class 150, all fluids
			ANSI, body, A216 WCC und A351 CF8M, NPS 1½-6, Class 300, all fluids
			DIN EN, body, EN-GJL-250, DN 150-400, PN 16, fluids G2, L2, L1 <sup>1)</sup>
			DIN EN, body, 1.0619 und 1.4408, DN 65-400, PN 16, all fluids
			DIN EN, body, 1.0619 und 1.4408, DN 65-400, PN 40, all fluids
			ANSI, body, A126 B, NPS 6-16, Class 125, fluids G2, L2, L1 <sup>1)</sup>
	---	2404-2	ANSI, body, A216 WCC und A351 CF8M, NPS 2½-16, Class 150, all fluids
			ANSI, body, A216 WCC und A351 CF8M, NPS 2½-10, Class 300, all fluids
			DIN EN, body, EN-GJL-250, DN 250, PN 16, fluids G2, L2 <sup>1)</sup>
			DIN EN, body, 1.0619, DN 250, PN 16, fluids G2, L2 <sup>1)</sup>
			DIN EN, body, 1.0619, DN 200-250, PN 25, fluids G2, L2 <sup>1)</sup>
			DIN EN, body, 1.0619, DN 125-250, PN 40, fluids G2, L2 <sup>1)</sup>
	---	2331	DIN EN, body, EN-GJL-250, DN 150-400, PN 16, fluids G2, L2, L1 <sup>1)</sup>
			DIN EN, body, EN-GJS-400-18-LT, DN 100-150, PN 25, fluids G2, L2, L1 <sup>1)</sup>
DIN EN, body, 1.0619 und 1.4408, DN 65-400, PN 16, all fluids			
DIN EN, body, 1.0619 and 1.4408, DN 200-400, PN 25, all fluids			
DIN EN, body, 1.0619 and 1.4408, DN 65-400, PN 40, all fluids			
ANSI, body, A126 B, NPS 6-16, Class 125, fluids G2, L2, L1 <sup>1)</sup>			
---	2333 2335	ANSI, body, A216 WCC and A351 CF8M, NPS 2½-16, Class 150, all fluids	
		ANSI, body, A216 WCC and A351 CF8M, NPS 2½-16, Class 300, all fluids	
		DIN EN, body, EN-GJL-250, DN 150-400, PN 16, fluids G2, L2, L1 <sup>1)</sup>	
		DIN EN, body, EN-GJS-400-18-LT, DN 150, PN 16, fluids G2, L2, L1 <sup>1)</sup>	
		DIN EN, body, EN-GJS-400-18-LT, DN 100-150, PN 25, fluids G2, L2, L1 <sup>1)</sup>	
		DIN EN, body, 1.0619 und 1.4408, DN 65-400, PN 16, all fluids	
---	2334	DIN EN, body, 1.0619 and 1.4408, DN 200-400, PN 25, all fluids	
		DIN EN, body, 1.0619 und 1.4408, DN 65-400, PN 40, all fluids	
		ANSI, body, A126 B, NPS 6-16, Class 125, fluids G2, L2, L1 <sup>1)</sup>	
		ANSI, body, A216 WCC and A351 CF8M, NPS 2½-16, Class 150, all fluids	
		ANSI, body, A216 WCC and A351 CF8M, NPS 2½-16, Class 300, all fluids	
		DIN EN, body, 1.4469 and 1.4470, DN 32-50, PN 40, all fluids	
---	2373 2375	ANSI, body, A995 5A and A995 4A, NPS 1½-2, Class 300, all fluids	
		DIN EN, body, EN-GJL-250, DN 150-250, PN 16, fluids G2, L2, L1 <sup>1)</sup>	
Strainers	2N/2NI	2602	DIN EN, body, EN-GJS-400-18-LT, DN 150, PN 16, fluids G2, L2, L1 <sup>1)</sup>
			DIN EN, body, EN-GJS-400-18-LT, DN 100-150, PN 25, fluids G2, L2, L1 <sup>1)</sup>
			DIN EN, body, EN-GJS-400-18-LT, DN 100-150, PN 25, fluids G2, L2, L1 <sup>1)</sup>
			DIN EN, body, 1.0619, DN 100-250, PN 16, all fluids

Revision 01

EU DECLARATION OF CONFORMITY  
TRANSLATION



Devices	Series	Type	Version
Strainers	2N/2NI	2602	DIN EN, body, 1.0619, DN 200-250, PN 25, all fluids
			DIN EN, body, 1.0619, DN 32-250, PN 40, all fluids
			DIN EN, body, 1.4408, DN 65-100, PN 16, all fluids
			DIN EN, body, 1.4408, DN 32-100, PN 40, all fluids

<sup>1)</sup>Gases according to Article 4(1)(c.i), second indent  
Liquids according to Article 4(1)(c.ii)

That the products mentioned above comply with the requirements of the following standards:

Directive of the European Parliament and of the Council on the harmonization of the laws of the Member States relating to the making available on the market of pressure equipment	2014/68/EU	of 15. May 2014
Applied conformity assessment procedure for fluids according to Article 4(1)	Module H	by Bureau Veritas 0062

The manufacturer's quality management system is monitored by the following notified body:  
**Bureau Veritas Services SAS, 4 place des Saisons, 92400 Courbevoie, France**  
Technical standards applied: DIN EN 12516-2, DIN EN 12516-3, ASME B16.34

Manufacturer: SAMSON AG, Weismuellerstrasse 3, 60314 Frankfurt am Main, Germany

Frankfurt am Main, 05. June 2024

*ppc. G. Tollas*

ppa. Norbert Tollas  
Senior Vice President  
Global Operations

*i. V. P. Scheermesser*

i.V. Peter Scheermesser  
Director  
Product Maintenance & Engineered Products

Revision 01

EU DECLARATION OF CONFORMITY  
TRANSLATION



**Declaration of Conformity of Final Machinery**

in accordance with Annex II, section 1.A. of the Directive 2006/42/EC

For the following product:

**Type 42-34 Differential Pressure Regulator with Flow Limitation consisting of  
Type 2423 Valve and Type 2424 Actuator**

We hereby declare that the machinery mentioned above complies with all applicable requirements stipulated in Machinery Directive 2006/42/EC.

For product descriptions refer to:

- Type 42-34 and Type 42-38 Differential Pressure Regulators with Flow Limitation:  
Mounting and Operating Instructions EB 3013

Referenced technical standards and/or specifications:

- VCI, VDMA, VGB: "Leitfaden Maschinenrichtlinie (2006/42/EG) – Bedeutung für Armaturen, Mai 2018" [German only]
- VCI, VDMA, VGB: "Zusatzdokument zum Leitfaden Maschinenrichtlinie (2006/42/EG) – Bedeutung für Armaturen vom Mai 2018" [German only], based on  
DIN EN ISO 12100:2011-03

Comment:

Information on residual risks of the machinery can be found in the mounting and operating instructions of the valve and actuator as well as in the referenced documents listed in the mounting and operating instructions.

Persons authorized to compile the technical file:

SAMSON AG, Weismüllerstraße 3, 60314 Frankfurt am Main, Germany  
Frankfurt am Main, 12 May 2022

A handwritten signature in blue ink, appearing to read "ppc. C. Tollas".

Norbert Tollas  
Senior Vice President  
Global Operations

A handwritten signature in blue ink, appearing to read "i. v. P. Scheermesser".

Peter Scheermesser  
Director  
Product Maintenance & Engineered Products

Revision no. 00



EU DECLARATION OF CONFORMITY  
TRANSLATION



**Declaration of Conformity of Final Machinery**

in accordance with Annex II, section 1.A. of the Directive 2006/42/EC

For the following product:

**Type 42-38 Differential Pressure Regulator with Flow Limitation consisting of Type 2423 Valve and Type 2428 Actuator**

We hereby declare that the machinery mentioned above complies with all applicable requirements stipulated in Machinery Directive 2006/42/EC.

For product descriptions refer to:

- Type 42-38 Differential Pressure Regulators with Flow Limitation: Mounting and Operating Instructions EB 3013

Referenced technical standards and/or specifications:

- VCI, VDMA, VGB: "Leitfaden Maschinenrichtlinie (2006/42/EG) – Bedeutung für Armaturen, Mai 2018" [German only]
- VCI, VDMA, VGB: "Zusatzdokument zum Leitfaden Maschinenrichtlinie (2006/42/EG) – Bedeutung für Armaturen vom Mai 2018" [German only], based on DIN EN ISO 12100:2011-03

Comment:

Information on residual risks of the machinery can be found in the mounting and operating instructions of the valve and actuator as well as in the referenced documents listed in the mounting and operating instructions.

Persons authorized to compile the technical file:

SAMSON AG, Weismüllerstraße 3, 60314 Frankfurt am Main, Germany  
Frankfurt am Main, 12 May 2022

Norbert Tollas  
Senior Vice President  
Global Operations

Peter Scheermesser  
Director  
Product Maintenance & Engineered Products

Revision no. 00

## DECLARATION OF INCORPORATION TRANSLATION



### Declaration of Incorporation in Compliance with Machinery Directive 2006/42/EC

For the following product:  
**Type 2423 Valve**

We certify that the Type 2423 Valve is partly completed machinery as defined in the Machinery Directive 2006/42/EC and that the safety requirements stipulated in Annex I, 1.1.2, 1.1.3, 1.1.5, 1.3.2, 1.3.4 and 1.3.7 are observed. The relevant technical documentation described in Annex VII, part B has been compiled.

Products we supply must not be put into service until the final machinery into which it is to be incorporated has been declared in conformity with the provisions of the Machinery Directive 2006/42/EC.

Operators are obliged to install the products observing the accepted industry codes and practices (good engineering practice) as well as the mounting and operating instructions. Operators must take appropriate precautions to prevent hazards that could be caused by the process medium and operating pressure in the valve as well as by the signal pressure and moving parts.

The permissible limits of application and mounting instructions for the products are specified in the associated mounting and operating instructions; the documents are available in electronic form on the Internet at [www.samsongroup.com](http://www.samsongroup.com).

For product descriptions refer to:

- Type 42-34 and Type 42-38 Differential Pressure Regulators with Flow Limitation:  
Mounting and Operating Instructions EB 3013
- Type 42-36 Flow Regulator: Mounting and Operating Instructions EB 3015
- Type 42-36 E Pressure-independent Control Valve (PICV):  
Mounting and Operating Instructions EB 3018
- Type 42-37 Flow and Differential Pressure Regulator as well as Type 42-39 Flow and Differential Pressure or Pressure Regulator: Mounting and Operating Instructions EB 3017

Referenced technical standards and/or specifications:

- VCI, VDMA, VGB: "Leitfaden Maschinenrichtlinie (2006/42/EG) – Bedeutung für Armaturen, Mai 2018" [German only]
- VCI, VDMA, VGB: "Zusatzdokument zum Leitfaden Maschinenrichtlinie (2006/42/EG) – Bedeutung für Armaturen vom Mai 2018" [German only], based on DIN EN ISO 12100:2011-03

Comments:

- See mounting and operating instructions for residual hazards.
- Also observe the referenced documents listed in the mounting and operating instructions.

Persons authorized to compile the technical file:

SAMSON AG, Weismüllerstraße 3, 60314 Frankfurt am Main, Germany  
Frankfurt am Main, 10 November 2021

A handwritten signature in blue ink, appearing to read "S. Giesen".

Stephan Giesen  
Director  
Product Management

A handwritten signature in blue ink, appearing to read "P. Scheermesser".

Peter Scheermesser  
Director  
Product Life Cycle Management and ETO  
Development for Valves and Actuators

Revision no. 00

DECLARATION OF INCORPORATION  
TRANSLATION



**Declaration of Incorporation in Compliance with Machinery Directive 2006/42/EC**

For the following product:  
**Type 2424 Actuators**

We certify that the Type 2424 Actuator is partly completed machine as defined in the Machinery Directive 2006/42/EC and that the safety requirements stipulated in Annex I, 1.1.2, 1.1.3, 1.1.5, 1.3.2, 1.3.4 and 1.3.7 are observed. The relevant technical documentation described in Annex VII, part B has been compiled.

Products we supply must not be put into service until the final machinery into which it is to be incorporated has been declared in conformity with the provisions of the Machinery Directive 2006/42/EC.

Operators are obliged to install the products observing the accepted industry codes and practices (good engineering practice) as well as the mounting and operating instructions. Operators must take appropriate precautions to prevent hazards that could be caused by the process medium and operating pressure in the valve as well as by the signal pressure and moving parts.

The permissible limits of application and mounting instructions for the products are specified in the associated data sheets as well as the mounting and operating instructions; the documents are available in electronic form on the Internet at [www.samsongroup.com](http://www.samsongroup.com).

For product descriptions refer to:

- Type 42-24 Differential Pressure Regulator: Mounting and Operating Instructions EB 3003
- Type 2422/2424 Pressure Reducing Valve: Mounting and Operating Instructions EB 2549
- Type 42-34 Differential Pressure Limiter with Flow Limitation:  
Mounting and Operating Instructions EB 3013

Referenced technical standards and/or specifications:

- VCI, VDMA, VGB: "Leitfaden Maschinenrichtlinie (2006/42/EG) – Bedeutung für Armaturen, Mai 2018" [German only]
- VCI, VDMA, VGB: "Zusatzdokument zum Leitfaden Maschinenrichtlinie (2006/42/EG) – Bedeutung für Armaturen vom Mai 2018" [German only], based on DIN EN ISO 12100:2011-03

Comments:

- See mounting and operating instructions for residual hazards.
- Also observe the referenced documents listed in the mounting and operating instructions.

Persons authorized to compile the technical file:

SAMSON AG, Weismüllerstraße 3, 60314 Frankfurt am Main, Germany  
Frankfurt am Main, 20 September 2021

*iv. St. G.*  
Stephan Giesen  
Director  
Product Management

*i.v. P. Scheermesser*  
Peter Scheermesser  
Director  
Product Life Cycle Management and ETO Development for  
Valves and Actuators

Revision no. 00

Classification: Public · SAMSON AKTIENGESELLSCHAFT · Weismüllerstraße 3 · 60314 Frankfurt, Germany

Page 1 of 1

## DECLARATION OF INCORPORATION TRANSLATION



### Declaration of Incorporation in Compliance with Machinery Directive 2006/42/EC

For the following product:

#### Type 2428 Actuators

We certify that the Type 2428 Actuator is partly completed machine as defined in the Machinery Directive 2006/42/EC and that the safety requirements stipulated in Annex I, 1.1.2, 1.1.3, 1.1.5, 1.3.2, 1.3.4 and 1.3.7 are observed. The relevant technical documentation described in Annex VII, part B has been compiled.

Products we supply must not be put into service until the final machinery into which it is to be incorporated has been declared in conformity with the provisions of the Machinery Directive 2006/42/EC.

Operators are obliged to install the products observing the accepted industry codes and practices (good engineering practice) as well as the mounting and operating instructions. Operators must take appropriate precautions to prevent hazards that could be caused by the process medium and operating pressure in the valve as well as by the signal pressure and moving parts.

The permissible limits of application and mounting instructions for the products are specified in the associated data sheets as well as the mounting and operating instructions; the documents are available in electronic form on the Internet at [www.samsongroup.com](http://www.samsongroup.com).

For product descriptions refer to:

- Type 42-28 Differential Pressure Regulator: Mounting and Operating Instructions EB 3003
- Type 42-38 Differential Pressure Limiter with Flow Limitation: Mounting and Operating Instructions EB 3013

Referenced technical standards and/or specifications:

- VCI, VDMA, VGB: "Leitfaden Maschinenrichtlinie (2006/42/EG) – Bedeutung für Armaturen, Mai 2018" [German only]
- VCI, VDMA, VGB: "Zusatzdokument zum Leitfaden Maschinenrichtlinie (2006/42/EG) – Bedeutung für Armaturen vom Mai 2018" [German only], based on DIN EN ISO 12100:2011-03


Comments:

- See mounting and operating instructions for residual hazards.
- Also observe the referenced documents listed in the mounting and operating instructions.

Persons authorized to compile the technical file:

SAMSON AG, Weismüllerstraße 3, 60314 Frankfurt am Main, Germany  
Frankfurt am Main, 7 February 2022

  
\_\_\_\_\_  
Stephan Giesen  
Director  
Product Management

  
\_\_\_\_\_  
Peter Scheermesser  
Director  
Product Life Cycle Management and ETO  
Development for Valves and Actuators

Revision no. 00

## 15 Appendix

### 15.1 Tightening torques

**Table 15-1:** *Tightening torque*

Part	Width across flats	Nominal size or actuator area	Tightening torque in Nm
Connecting piece (10)	A/F 36	All	150
Coupling nuts (11)			120
Nuts and bolts (15)	-	80 cm <sup>2</sup>	20
		160 cm <sup>2</sup> , 320 cm <sup>2</sup> , 640 cm <sup>2</sup> <sup>1)</sup>	25
		640 cm <sup>2</sup> <sup>2)</sup>	40
Set point adjuster (17)	A/F 27	160 to 640 cm <sup>2</sup>	-
Nut (18)	A/F 12	160 to 640 cm <sup>2</sup>	40
Control line connection (20)	-	160 to 640 cm <sup>2</sup>	22
Stopper (22)	Width across flats 13 mm (G ¼ thread)	-	50
	Width across flats 17 mm (G ¾ thread)		70

### 15.2 Lubricants

SAMSON's After-sales Service can support you concerning lubricants and sealants approved by SAMSON.

### 15.3 Tools

SAMSON's After-sales Service can support you concerning tools approved by SAMSON.

### 15.4 Accessories

Needle valves and compression-type screw fittings can be supplied as required. These accessories are listed in ► T 3095.

## 15.5 Spare parts

### Legend for Fig. 15-1 and Fig. 15-2

2	Bellows	24	Compression spring	52	Hex nut
5	Restriction	26	Guide tube	81	Cap
12	Screw	27	Bottom section	82	Hex nut
16	Seat	34	Flange	132	O-ring
17	Plug	35	Screw plug	171	Clamping ring
20	Body	46	Graphite seal on metal core	172	Seal
21	Guide cap	51	Stud		
22	Label				

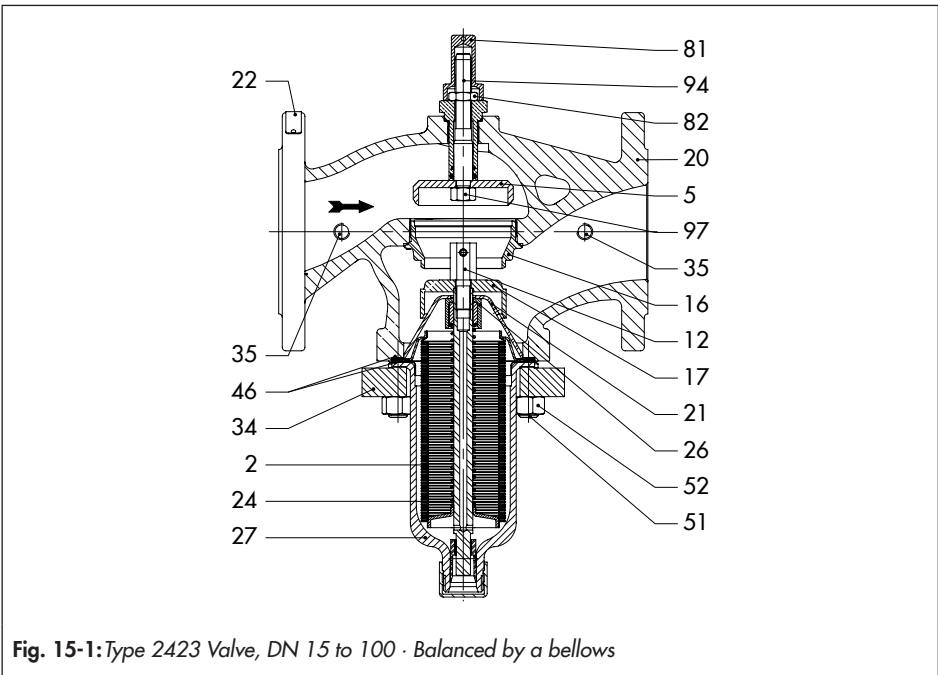
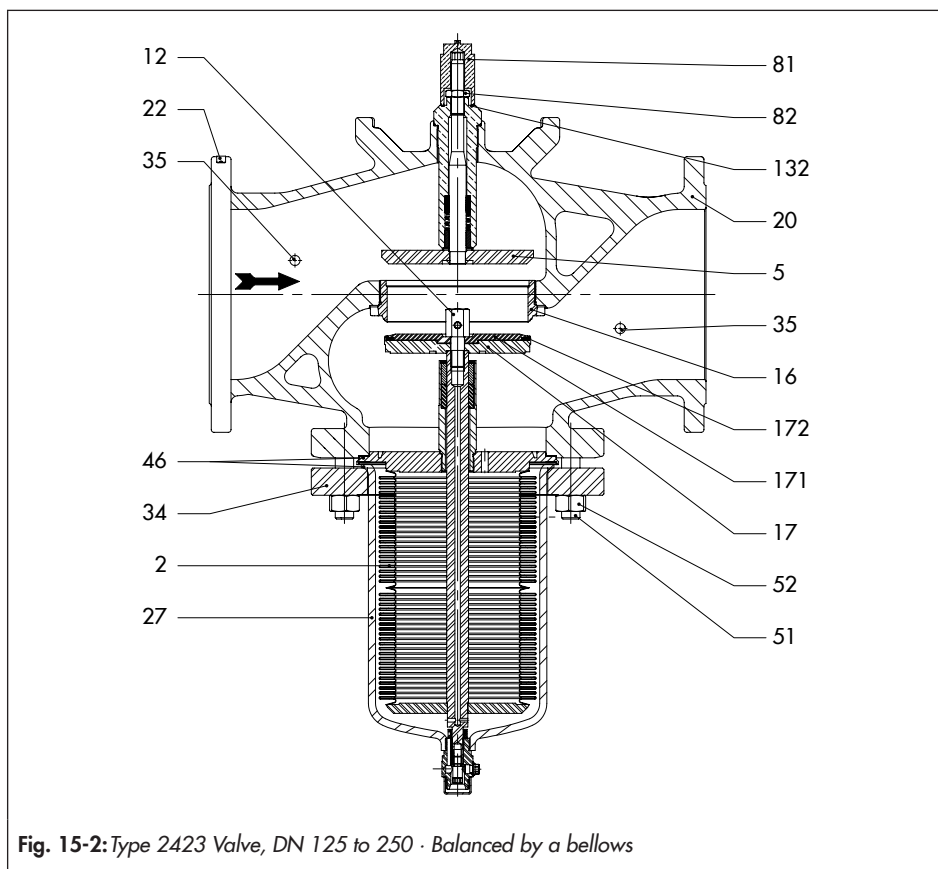


Fig. 15-1: Type 2423 Valve, DN 15 to 100 · Balanced by a bellows



## Legend for Fig. 15-3

5	Restriction	18	Plug	51	Stud
8	Compression spring	19	Screw	52	Hex nut
10	Diaphragm plate	20	Body	53	Screw plug
11	Diaphragm	21	Guide cap	81	Nut
12	Castle nut	22	Label	82	Hex nut
13	Washer	27	Diaphragm case	94	Stem
14	Plug stem	34	Ring	97	Hex nut (self-locking)
16	Seat	46	Gasket		

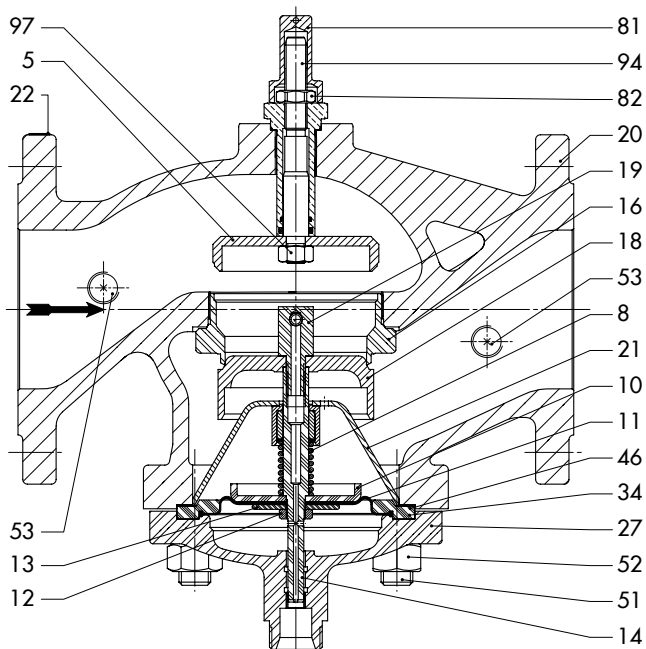
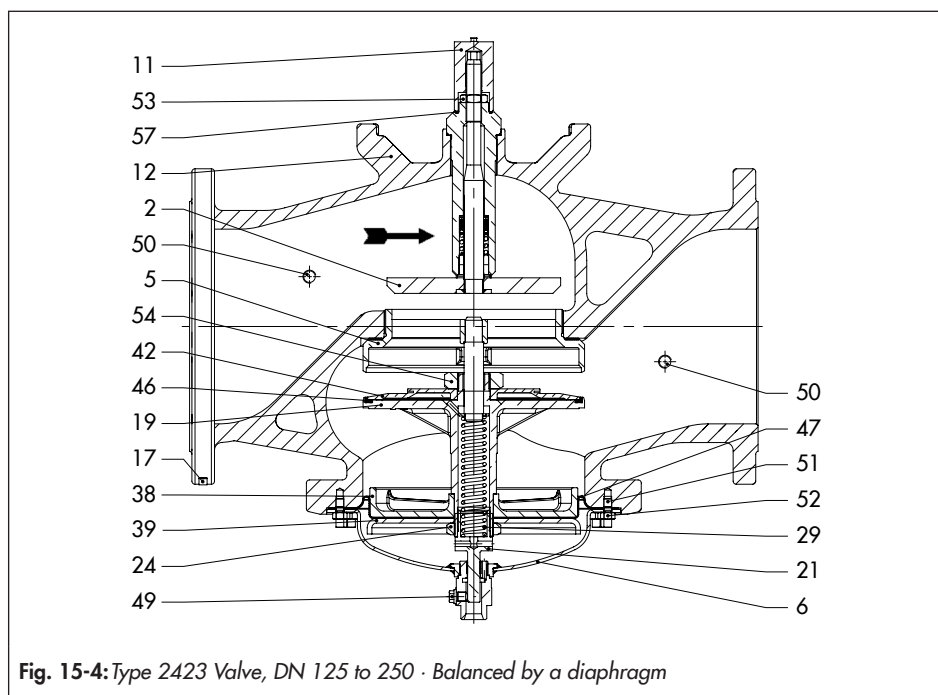


Fig. 15-3: Type 2423 Valve, DN 65 to 100 · Balanced by a diaphragm



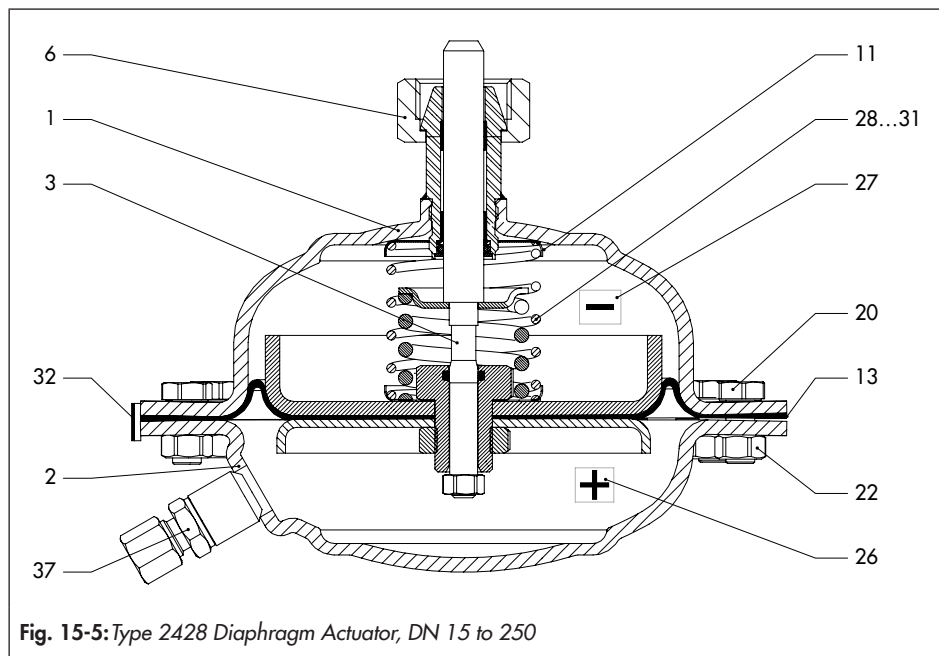
## Legend for Fig. 15-4

2	Restriction	21	Nipple	49	Screw plug
5	Seat	24	Nut	50	Screw plug
6	Diaphragm case	38	Diaphragm plate	51	Stud
11	Cap	39	Diaphragm plate	52	Hex nut
12	Body	42	Clamping disk	53	Hex nut
17	Label	46	Seal	54	Hex nut
19	Plug	47	Diaphragm	57	O-ring



## Legend for Fig. 15-5

1	Diaphragm case assembly	20	Screw
2	Diaphragm case assembly	22	Nut
3	Diaphragm stem with excess pressure limiter and diaphragm	26	Adhesive label +
6	Coupling nut	27	Adhesive label -
11	Spring plate	28...31	Compression spring
13	Diaphragm	32	Nameplate
		37	Screw joint with restriction



## Legend for Fig. 15-6

1	Diaphragm case assembly	20	Adhesive label +
2	Diaphragm case assembly	21	Adhesive label -
4	Nipple	22	Nameplate
5	Guide nipple	25	Nut of set point adjuster
7	Diaphragm stem with excess pressure limiter and diaphragm	27...29	Set point springs
8	Force limiter	30	Compression spring
11	Coupling nut	36	Spring plate
17	Screw	46	Axial needle bearing
18	Nut	49	Cap
		51	Washer

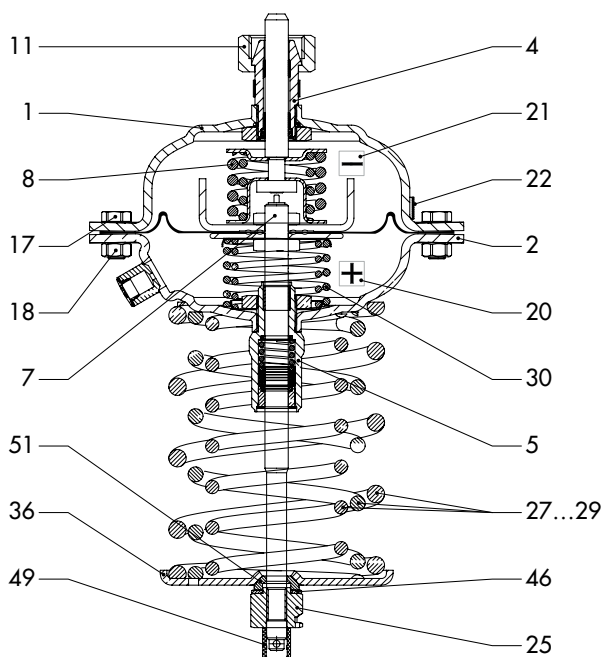


Fig. 15-6: Type 2424 Diaphragm Actuator, DN 15 to 250

## Appendix

### Legend for Fig. 15-7

1	Diaphragm stem
2	Diaphragm plate
3	Diaphragm

4	Washer
5	Spring plate
6	Nut

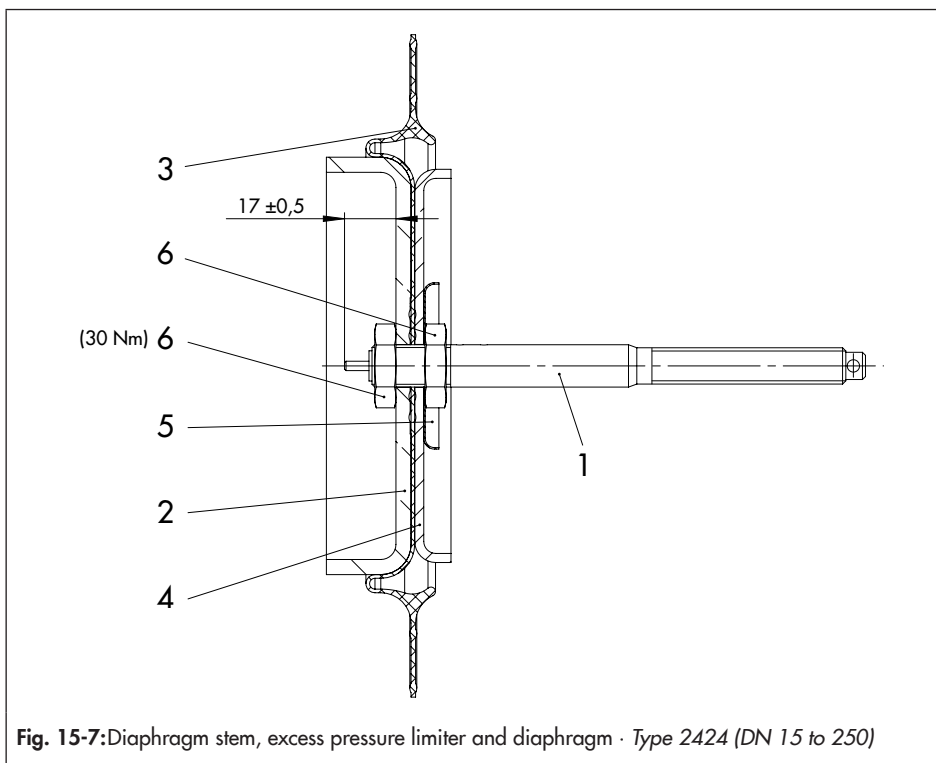


Fig. 15-7: Diaphragm stem, excess pressure limiter and diaphragm · Type 2424 (DN 15 to 250)

## 15.6 After-sales service

Contact SAMSON's After-sales Service for support concerning service or repair work or when malfunctions or defects arise.

### E-mail address

You can reach our after-sales service at [aftersalesservice@samsongroup.com](mailto:aftersalesservice@samsongroup.com).

### Addresses of SAMSON AG and its subsidiaries

The addresses of SAMSON, its subsidiaries, representatives and service facilities worldwide can be found on our website (▶ [www.samsongroup.com](http://www.samsongroup.com)) or in all SAMSON product catalogs.

### Required specifications

Please submit the following details:

- Device type and nominal size
- Valve balanced by a bellows or diaphragm
- Model number or material number
- Upstream and downstream pressure
- Temperature and process medium
- Min. and max. flow rate in m<sup>3</sup>/h
- Is a strainer installed?
- Installation drawing showing the exact location of the regulator and all the additionally installed components (shut-off valves, pressure gauge etc.)





**EB 3013 EN**



**SAMSON AKTIENGESELLSCHAFT**

Weismüllerstraße 3 · 60314 Frankfurt am Main, Germany

Phone: +49 69 4009-0 · Fax: +49 69 4009-1507

samson@samsongroup.com · [www.samsongroup.com](http://www.samsongroup.com)